



# *Parts Manual*

Serial Number Range

## *RL4 Vertical Mast*

from SN RL415-101

Part No. 1266666

Rev A

August 2015

## Technical Publications

Terex has endeavored to deliver the highest degree of accuracy possible. However, continuous improvement of our products is a Terex policy. Therefore, product specifications are subject to change without notice.

Readers are encouraged to notify Terex of errors and send in suggestions for improvement. All communications will be carefully considered for future printings of this and all other manuals.

## Contact Us:

Internet: [www.genielift.com](http://www.genielift.com)

E-mail: [awp.techpub@terex.com](mailto:awp.techpub@terex.com)


---

Copyright © 2015 by Terex Corporation  
1266666 Rev A August 2015  
First Edition, First Printing

"Terex" is a registered trademark of Terex USA, LLC in the USA and many other countries.

Printed on recycled paper






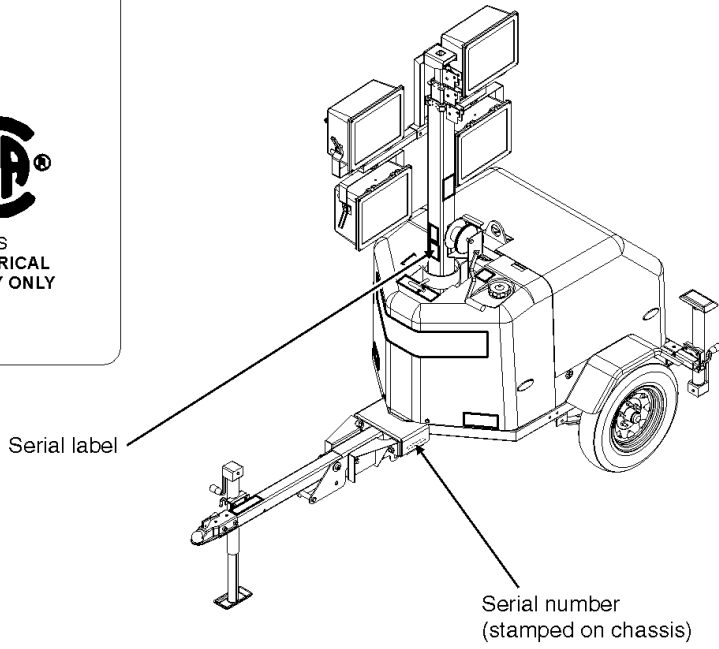
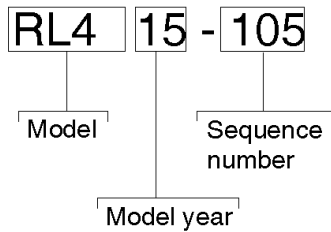
MODEL: RL4  
 SERIAL NUMBER : RL4 15-105  
 MANUFACTURE DATE: 07/14/15    MODEL YEAR: 2015  
 ELECTRICAL SCHEMATIC NUMBER: Es0528  
 MACHINE UNLADEN WEIGHT: 1208 lbs / 548 kg  
 AXLE WEIGHT : 3500 lbs / 1588 kg  
 TONGUE WEIGHT : 100 lbs / 50 kg  
 TIRE PRESSURE : 50 psi / 345 kPA  
 MAXIMUM TOW SPEED : Position 50

KVA:                                  HZ : 60 Hz  
 KW:                                    VOLTS : 48V  
 RPM :                                  MAX AMPS :  
 MAX AMBIENT TEMPERA TURE : 104 F / 40 C  
 INSULATION SYSTEM : Class F

Country of manufacture: USA

Manufacturer:  
 Terex USA, LLC  
 590 Huey Road  
 PO Box 3147  
 Rock Hill, SC 29732  
 USA





## Table of Contents

This manual is updated frequently. If you have a printed manual, you can keep it up to date by downloading new figures from the Genie website at [www.genielift.com](http://www.genielift.com). For the most up-to-date parts information, visit the Parts Lookup System on the Genie website at [www.genielift.com](http://www.genielift.com).

How to Read Your Serial Number.....	3
Parts Stocking List.....	7
How to Order Parts.....	8
Service Parts Fax Order Form.....	9

### **Electronic Version**

Click on any page number to view the figure.

### **100 Decals**

101.1 Decals with Words.....	10
102.1 Decals with Symbols.....	12

### **200 Chassis Components**

201.1 Chassis Components.....	14
202.1 Fuel Tank and Hoses.....	16
203.1 Axle.....	18
204.1 Hitches.....	20
205.1 Cabinet, Front Fairing.....	22
206.1 Cabinet, Rear Fairing.....	24

### **300 Engines and Generators**

301.1 Kohler KDW1003 GE Engine.....	26
302.1 Kubota D1105-E3BG Engine.....	28
303.1 Generator, Coliseum 6 kW.....	30
304.1 Generator, Coliseum 7 kW.....	32
305.1 Generator, Coliseum 8 kW.....	34

### **400 Electrical Components**

401.1 Control Box Assembly.....	36
---------------------------------	----

### **500 Mast Components**

501.1 Mast Assembly and Cable Routing.....	38
502.1 Tower Base and Mast Assembly, 4" Inch.....	40
503.1 Mast Assembly, 3" Inch.....	42
504.1 Mast Assembly, 2" Inch.....	44
505.1 Mast Assembly, 1.5" Inch.....	46
506.1 Light Assembly, Square.....	48
507.1 Light Assembly, 19" Round.....	50
508.1 Winch.....	52

### **600 Accessories**

501.1 Mast Assembly and Cable Routing.....	54
--	----

### **Indices**

Part Number Index.....	56
Part Description Index.....	58

### **Cross References**

***This Page Intentionally Left Blank***



## Required Parts

The following parts are required to perform maintenance procedures as outlined in the Terex RL4 with Vertical Mast Parts and Service Manual.

### Kohler KDW1003

Description	Part No.
Air Filter Element .....	1269064
Engine Oil Filter .....	1269065
Fuel Filter Element .....	1269066
In-line Fuel Filter.....	740620
V-Belt .....	1269067
Lower Radiator Hose.....	1269068
Upper Radiator Hose.....	1269069
Hose Clamp, Upper Radiator Hose.....	1269070

### Kubota D1105-E

Description	Part No.
Air Filter Element .....	866127
Engine Oil Filter.....	866050
Fuel Filter Element.....	839107
In-line Fuel Filter.....	740620
V-Belt.....	839209
Lower Radiator Hose .....	839110
Upper Radiator Hose.....	839109
Hose Clamp, Upper Radiator Hose.....	32185

### Fuel Lines

Description	Part No.
Fuel Return Hose, 1/8" (refer to 203.1) .....	890785
Hose, Fuel, 5/16" (refer to 203.1) .....	890795
Hose Clamp, 5/16" Fuel Line.....	792750

## Recommended Parts

Description	Part No.
Mechanical Jack .....	1266212
Release Pin, Mechanical Jack.....	1269071
Kit, Plunger Pin, Outrigger.....	970260
Grease Seal, Wheel Bearing .....	834225
Cotter Pin, Wheel Bearing .....	834255
Kit: Cable Asm, Section 1 .....	1266135
Kit: Cable Asm, Section 2.....	1266136
Kit: Cable Asm, Section 3.....	1266137

### Control Box

Description	Part No.
Relay, 12VDC.....	R661490
Breaker, 20A .....	T113642
Breaker, 25A .....	1267913
Breaker, 30A .....	T113644

### Generator, Coliseum

Description	Part No.
Capacitor, 6KW, 60Hz .....	1267424
Capacitor, 7KW, 60Hz .....	1267424
Capacitor, 8KW, 60Hz.....	1267424
Diode.....	836853
Surge Protector.....	836856

## Manuals

Terex offers the following support documents for these models:

Title	Part No.
Terex RL4 with Vertical Mast Operator's Manual (from serial number RL415-101) .....	1266664
Terex RL4 with Vertical Mast Service Manual (from serial number RL415-101) .....	1266665

## How To Order Parts

Please be prepared with the following information when ordering replacement parts for your Terex or Genie product:

- Machine model number
- Machine serial number
- Part number
- Part description and quantity
- Purchase order number
- "Ship to" address
- Desired method of shipment
- Name and telephone number of the authorized distributor in your area

Use the Service Parts Fax Order Form on the next page and fax your order to our Parts Department.

If you don't know the name of your authorized distributor, or if your area is not currently serviced by an authorized distributor, please call Terex or Genie Industries.

### Machine Information

---

Model

---

Serial Number

---

Date of Purchase

---

Authorized Genie Distributor

---

Phone Number

#### North America

Telephone (425) 556-6551  
 Toll Free (877) 367-5606 in U.S.A. and Canada  
 Fax (425) 556-8659  
 Toll Free Fax (888) 274-6192

#### Europe

Parts Telephone (31) (165) 519 313  
 Parts Fax (31) (165) 511 148

#### Australia

Parts Telephone (61) (7) 3456 4444  
 Parts Fax (61) (7) 3456 4466

#### South America

Parts Telephone (55) (11) 4082 5600  
 Parts Fax (55) (11) 4082 5630





Service Parts Fax Order Form

Fax to: (425) 556-8659 or Toll Free: 888-274-6192  
International: +1-425-556-8659

Please fill out completely

Date \_\_\_\_\_ Account Number \_\_\_\_\_  
 Your Name \_\_\_\_\_ Your Fax Number \_\_\_\_\_  
 \_\_\_\_\_ Your Phone Number \_\_\_\_\_  
 Bill To \_\_\_\_\_ Ship To \_\_\_\_\_  
 \_\_\_\_\_  
 \_\_\_\_\_  
 Purchase Order Number \_\_\_\_\_ Ship Via \_\_\_\_\_

Model(s) \_\_\_\_\_ Serial No.(s) \_\_\_\_\_  
 Optional Equipment \_\_\_\_\_


Part Number	Description	Quantity	Price

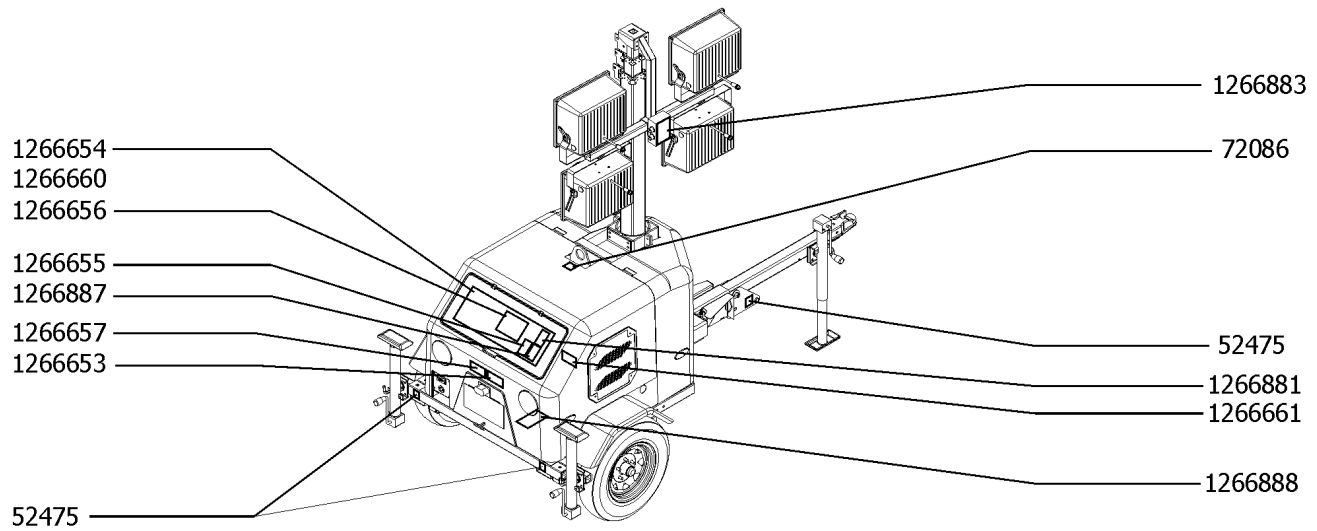
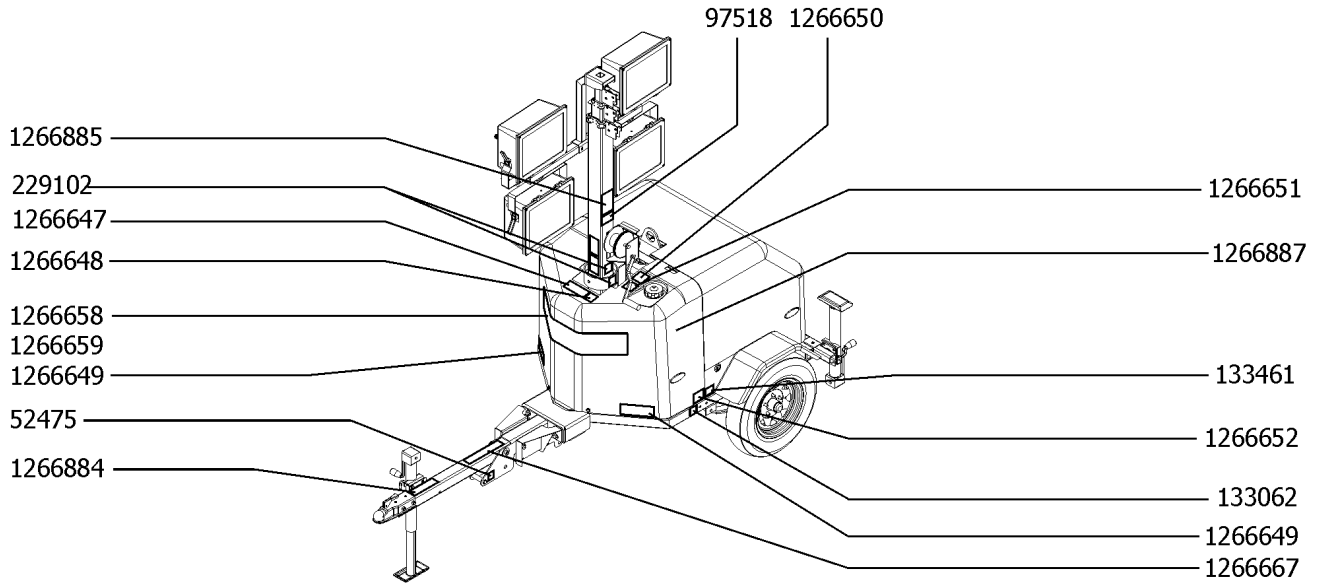
All back-ordered parts will be shipped when available via the same ship method as the original order unless Noted below:

- Ship complete order only - No back orders
- Ship all available parts and contact customer on disposition of back-ordered parts
- Other (please specify)



101.1 Decals with Words


 Shaded decals are located underneath the cover.

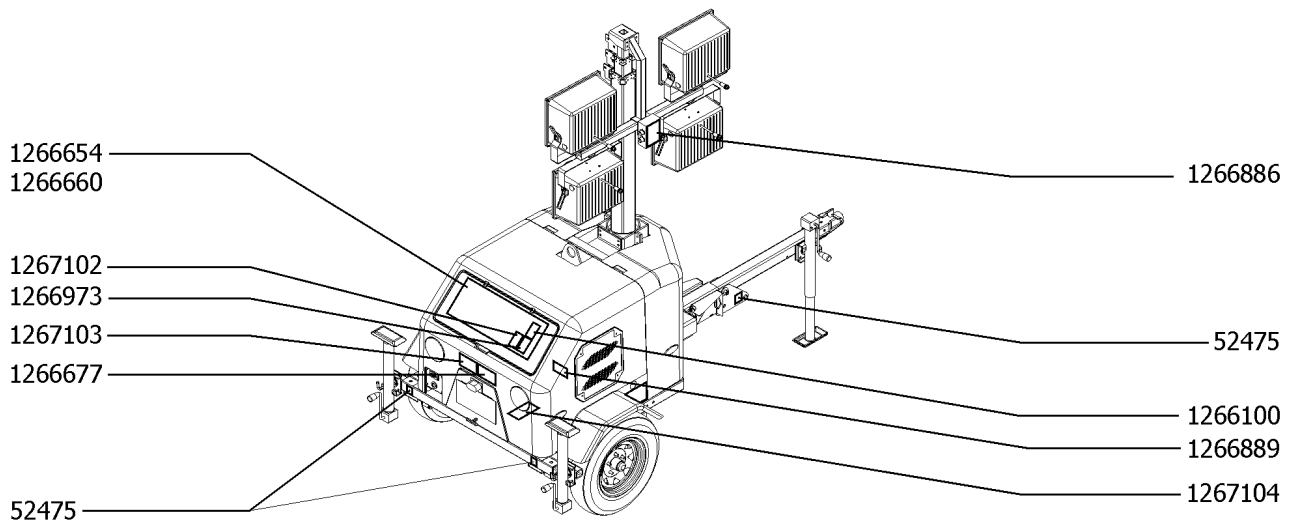
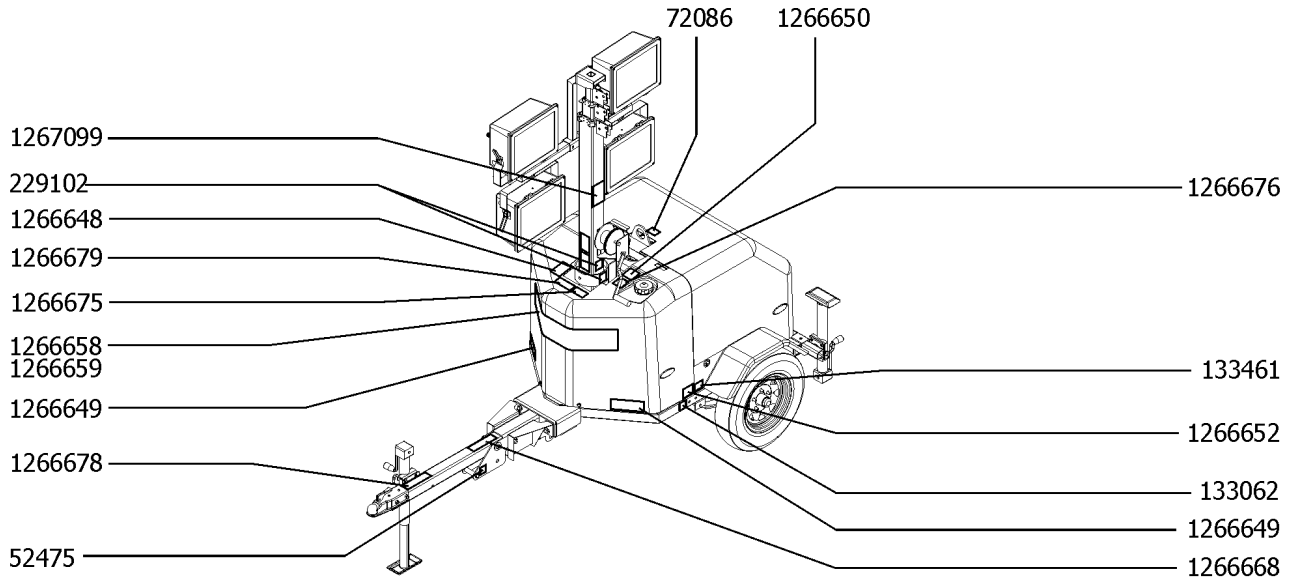


101.1 Decals with Words

Item	Part No.	Description	Qty.	Item	Part No.	Description	Qty.
1	97518	Decal, Instruction, Lamp Disposal....	1	30	1266885	Decal, Warning, Explosion/Burn hazard.....	1
2	1266650	Decal, Danger, Explosion Hazard....	1				
3	1266651	Decal, Label, Diesel.....	1				
4	1266887	Decal, Danger, Auto-start Hazard....	2				
5	133461	Decal, Instruction, Tire Specifications.....	2				
6	1266652	Decal, Label, Transport Diagram....	1				
7	133062	Decal, Label, Ground.....	1				
8	1266649	Decal, Cosmetic, Terex Logo, RL4....	2				
9	1266667	Decal, Instructions, Tongue deployment.....	1				
10	1266883	Decal, Danger, Electrocution Hazard.....	1				
11	72086	Decal, Label, Lifting Point.....	1				
12	52475	Decal, Label, Transport Tie-down....	4				
13	1266881	Decal, Danger, Inhalation Hazard....	1				
14	1266661	Decal, Warning, Explosion Hazard...	1				
15	1266888	Decal, Danger, Explosion Hazard, Battery.....	1				
16	1266653	Decal, Danger, Electrocution hazard.....	1				
17	1266657	Decal, Danger, Electrocution hazard.....	1				
18	1266887	Decal, Danger, Auto-start Hazard....	2				
19	1266655	Decal, Warning, Improper Operation.....	1				
20	1266656	Decal, Operating Instructions.....	1				
21	1266660	Decal, Cosmetic, Genie Logo, RL4, Rear door.....	1				
22	1266654	Decal, Cosmetic, Terex Logo, RL4, Rear door.....	1				
23	1266884	Decal, Warning, Tow Speed.....	1				
24	1266649	Decal, Cosmetic, Terex Logo, RL4....	2				
25	1266659	Decal, Cosmetic, Genie Logo, front fairing.....	1				
26	1266658	Decal, Cosmetic, Terex Logo, front fairing.....	1				
27	1266648	Decal, Warning, Tip-over Hazard, Outriggers.....	1				
28	1266647	Decal, Danger, Electrocution hazard.....	1				
29	229102	Decal, Label, Arrow.....	2				

102.1 Decals with Symbols

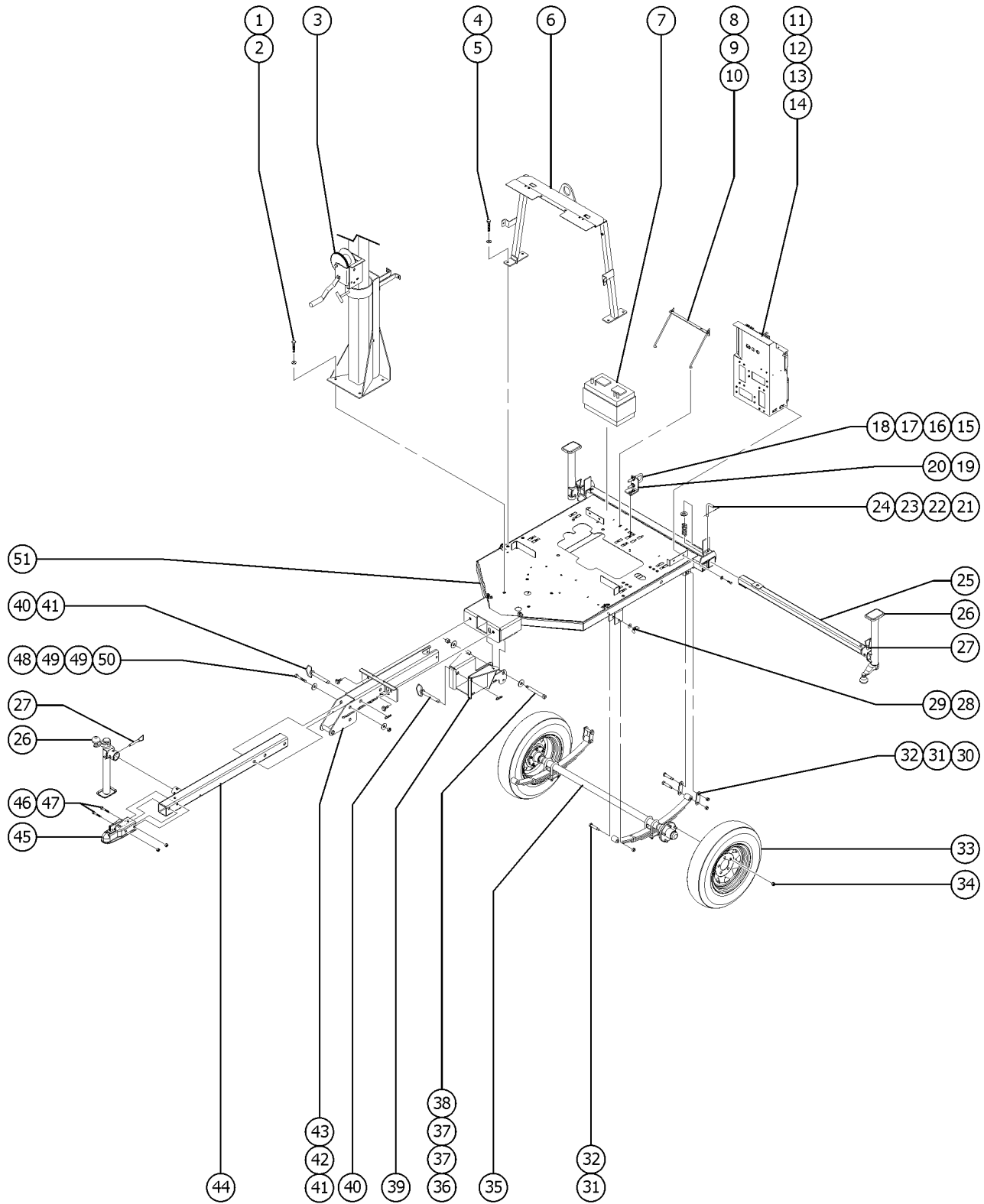
 Shaded decals are located underneath the cover.



## 102.1 Decals with Symbols

Item	Part No.	Description	Qty.
1	52475	Decal, Label, Transport Tie-down.....	4
2	72086	Decal, Label, Lifting Point.....	1
3	133062	Decal, Label, Ground.....	1
4	133461	Decal, Instruction, Tire Specifications.....	2
5	229102	Decal, Label, Arrow.....	2
6	1266649	Decal, Cosmetic, Terex Logo, RL4....	2
7	1266651	Decal, Label, Diesel.....	1
8	1266652	Decal, Label, Transport Diagram.....	1
9	1266654	Decal, Cosmetic, Terex Logo, RL4, Rear door.....	1
10	1266658	Decal, Cosmetic, Terex Logo, front fairing.....	1
11	1266659	Decal, Cosmetic, Genie Logo, front fairing.....	1
12	1266660	Decal, Cosmetic, Genie Logo, RL4, Rear door.....	1
13	1266668	Decal, Instructions, Tongue deployment.....	1
14	1266675	Decal, Warning, Tip-over Hazard, Outriggers.....	1
15	1266676	Decal, Label, Explosion Hazard.....	1
16	1266677	Decal, Warning, Burn Hazard.....	1
17	1266678	Decal, Label, Tow Speed.....	1
18	1266679	Decal, Danger, Electrocutation Hazard.....	1
19	1266886	Decal, Label, Electrocutation Hazard.....	1
20	1266889	Decal, Warning, Explosion Hazard...1	
21	1266973	Decal, Label, Read the Manual.....	1
22	1267099	Decal, Warning, Explosion/Burn Hazard.....	1
23	1267102	Decal, Danger, Inhalation Hazard.....	1
24	1267103	Decal, Label, Electrocutation hazard...1	
25	1267104	Decal, Label, Battery/Charger Safety.....	1

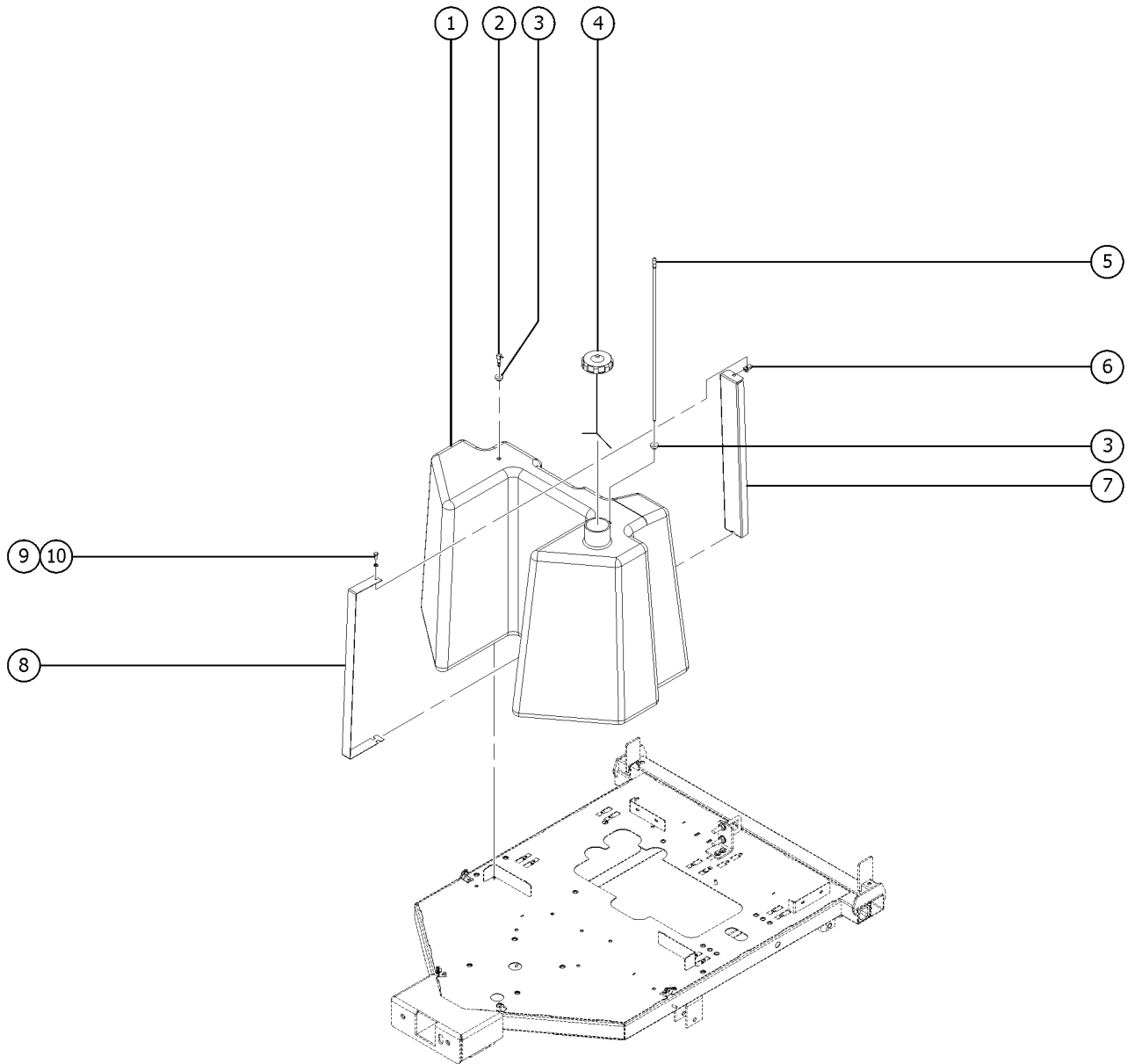
201.1 Chassis Components



## 201.1 Chassis Components

Item	Part No.	Description	Qty.	Item	Part No.	Description	Qty.
1		SCREW.....	4	36	1266197	BOLT, SHOULDER, DIA .75 X 6.0....	1
2		WASHER.....	4	37	1255761	WASHER,FLAT,3/4,USS,HRD,ZAG..	2
3	1264065	ASY, VERTICAL MAST.....	1	38	1258049	NUT,TL,5/8-11,C,ZAG.....	1
4	995310	SCREW,HHC,1/2-13 X 4 G.....	4	39	1265729	CHASSIS, KICKSTEP, WELDMENT,.....	1
5	1255760	WASHER,FLAT,1/2,USS,ZAG.....	4	40	1266143	ASSEMBLY, PIN AND CLIP.....	2
6	1264555	WELDMENT, LIFT, RL4.....	1	41	1266256	WELDMENT, BRACKET, RECEIVER, D.....	1
7		BATTERY.....	1	42	1256844	SCREW,HHC,1/2-13X1.5,8,ZAG....	2
8	1265441	BRACKET, HOLD DOWN, BATTERY,.....	1	43	1255760	WASHER,FLAT,1/2,USS,ZAG.....	2
9	1267521	TANK, COOLANT OVERFLOW.....	1	44	1261639	WELDMENT: DRAWBAR: RL4.....	1
10	1265275	J-BOLTS,10", BATTERY, RL4.....	2	45	57332	COUPLER,BALL,2" CLASS II.....	1
11	1263883	ASM, CONTROLS RL4 WO/TL.....	1	46	M007214	SCREW.....	2
12	1266600	BRACKET, CONTROL BOX, FLOAT,.....	2	47	990200	NUT,NYLOCK,1/2-13 GR2.....	2
13	1264101	SCREW.....	4	48	1266144	BOLT, SHOULDER DIA .75 X 4.0 L.....	1
14	825358	WASHER,FLAT,5/16,USS,ZAG.....	4	49	1255761	WASHER,FLAT,3/4,USS,HRD,ZAG..	2
15	1265317	ASSEMBLY, LATCH, U-BOLT, RL4.....	1	50	1258049	NUT,TL,5/8-11,C,ZAG.....	1
16	1254805	BOLT,U-BOLT,LATCH STRIKER,TRAY.....	1	51	1263088	WELDMENT, CAHSSIS, RL4.....	1
17	825358	WASHER,FLAT,5/16,USS,ZAG.....	2				
18	1255804	NUT,JAM,1/2-13,A,ZAG.....	2				
19	1264101	SCREW.....	2				
20	825358	WASHER,FLAT,5/16,USS,ZAG.....	2				
21		RELEASE, OUTRIGGER.....	2				
22		PIN, COTTER.....	2				
23		WASHER.....	2				
24		SPRING.....	2				
25	1263092	WELDMENT, OUTRIGGER, RL4....	2				
26	1266212	JACK, KNOTT PN KBC 6D8443.001-.....	3				
27		PIN, RELEASE.....	3				
28		NUT, WING.....	1				
29		WASHER.....	1				
30	1264517	PLATE, SHACKLE, AXLE, RL4.....	4				
31	1264511	BOLT, SHACKLE, RL4.....	6				
32	1264512	NUT, FLANGE, SHACKLE, RL4....	6				
33	116021	WHEEL/TIRE ASSY,13",175/80 LRB.....	2				
34	840376	NUT,WHEEL, 1/2 X 20.....	10				
35	1264508	ASSEMBLY, AXLE, RL4.....	1				

202.1 Fuel Tank and Hoses

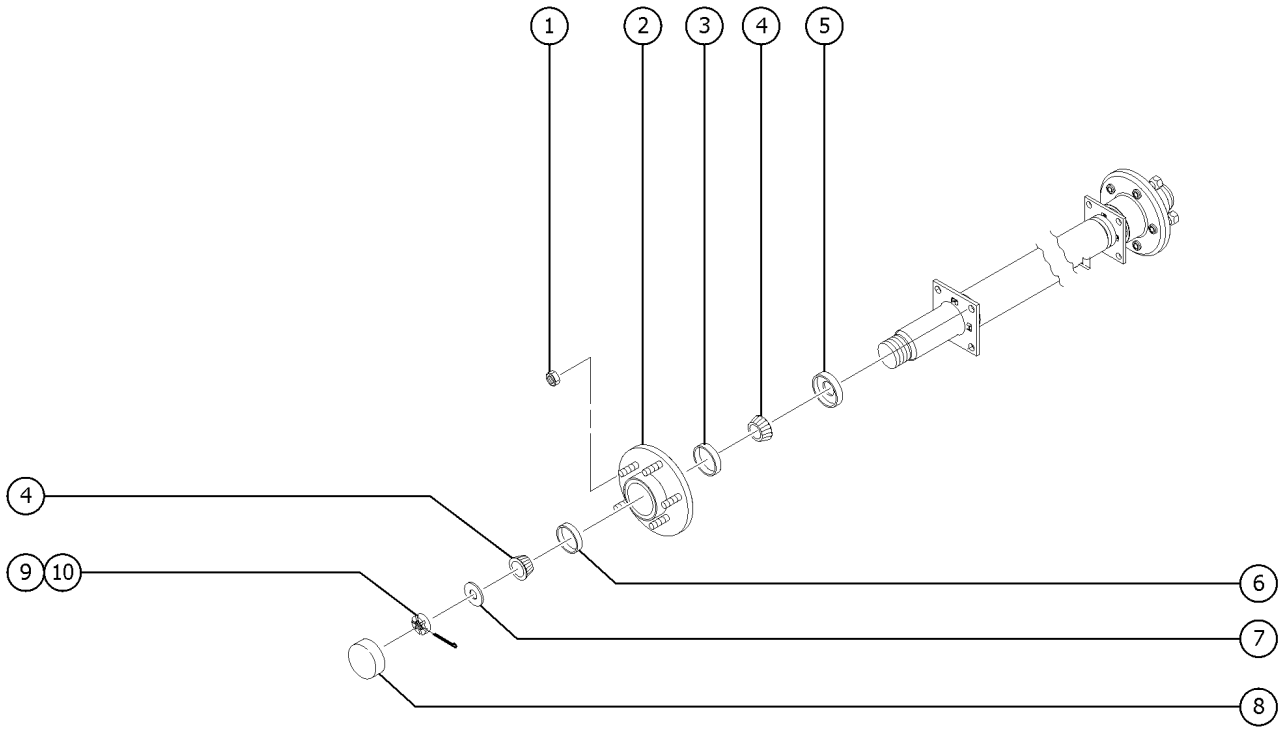




202.1 Fuel Tank and Hoses

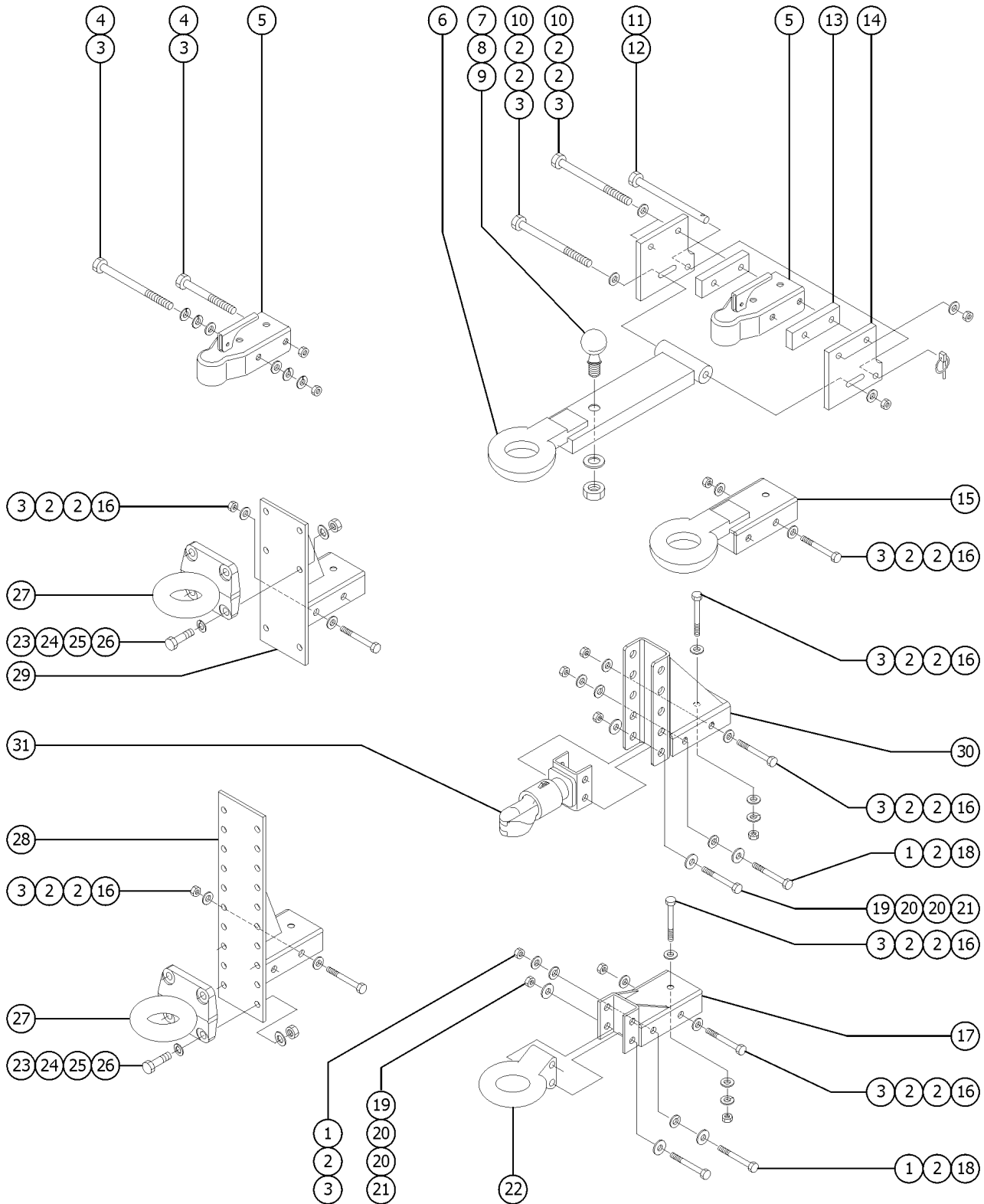
Item	Part No.	Description	Qty.
1	1262263	TANK FUEL RL4 C SHAPE.....	1
2	825079	FITTING 1/8,FITTING FOR DOWN T.....	1
3	825081	GROMMET DAPCO RUBBER SM...	2
4	217717	CAP FUEL RL4/AL4 WITH TETHER.....	1
5	1265409	FITTING 5/16, W TUBE 25.5 45D....	1
6	36456	SPRING CLIP,5/16-18,.025-.15X.....	1
7	1264814	FORMING FUEL TANK SUPPORT REAR.....	1
8	1264813	FORMING FUEL TANK SUPPORT FRON.....	1
9	1256464	SCREW,HHC,5/16-18X.75,8,ZAG....	1
10	1255764	WASHER,LOCK,5/16,ZAG.....	1

203.1 Axle



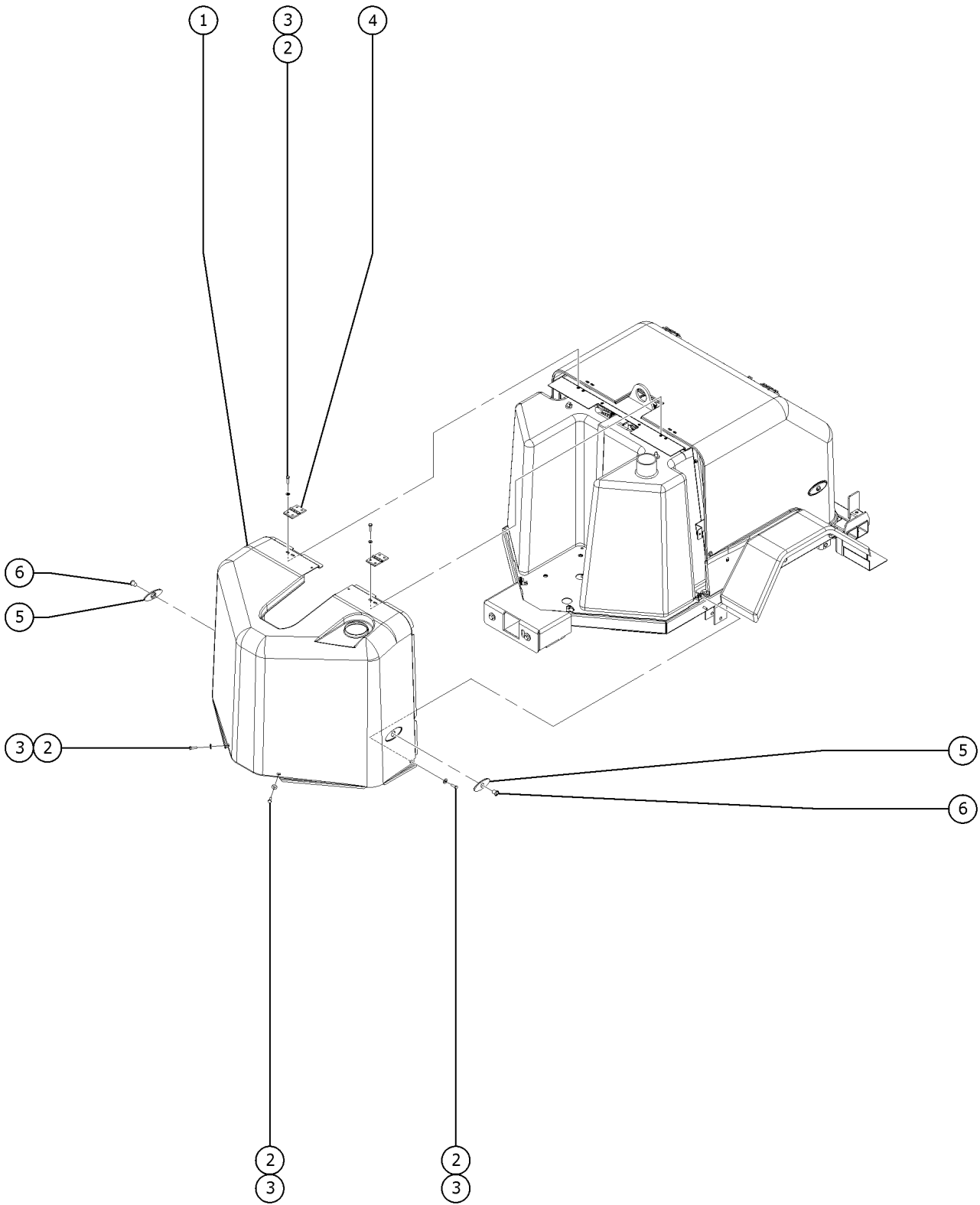
Item	Part No.	Description	Qty.
--	116949	AXLE ASSY,2200#,STRAIGHT	
1	840376	NUT,WHEEL, 1/2 X 20.....	10
2	236978	KIT,HUBS,BRINGS&SEALS,116949.1	
3		RACE, INNER.....	1
4	230561	BEARING,ALXL,840377,841050.....	2
5	C82100102	AXLE SEAL,2000# AXLE,DL220.....	1
6		RACE, OUTER.....	1
7	230578	WASHER,ALXL,840377,841050.....	1
8	834228	GREASE CAP, AXLE, 3000LB.....	1
9	834250	HAMMERBLOW SPINDLE NUT,AXLE.....	1
10	7604	PINCOTTER 0.125 1.750.....	1

204.1 Hitches



Item	Part No.	Description	Qty.
1	991650	WASHER LOCK 1/2ZP.....	2
2	6095	WASHER,FLAT,USS,1/2",Y	
3	6198	NUT,NYLOCK,1/2-13	
4	995310	SCREW,HHC,1/2-13 X 4 G.....	2
5A	57332	COUPLER,BALL,2" CLASS II	
5B	227082	COUPLER,BALL,2 5/16	
6	T109127	HITCH RING,COMBO,16"LENGTH.....	1
7	89163	BALL, 2" ZINC.....	1
8		WASHER,FLAT,1.000,HARDENED..	1
9		NUT,HEX,1-8.....	1
10	1262632	SCREW,HHC,1/2-13 X 6 GR8 ZP...3	
11	183731	SCREW,HHC,1/2-13 X 6.....	1
12	790540	PIN QUICK 1/4X 1.75 ZP.....	1
13	T109129	SPACER,SIDE,COMBO,HTCH,BOLT-ON.2	
14	176335	PLATE,SIDE,COMBO HITCH,BOLT-ON.....	2
15	213770	HITCH,RING,BOLT-ON 2.5" ID.....	1
16	13854	SCREW,HHC,1/2-13 X 4.5,GRD.8...2	
17	116936	AS-RING HITCH MOUNT.....	1
18	6-5208-44	SCREW,HHC,1/2-13 X 5.5,GRD.8...1	
19	123461	SCREW,HHC,5/8-11X4.50,GR8,Y...2	
20	6035	WASHER,FLAT,USS,5/8",Y.....	4
21	6024	NUT,NYLOCK,5/8-11.....	1
22A	116937	HITCH,2.5"RING,6 TON.....	1
22B	T110632	HITCH,3"RING,6TON.....	1
23	218691	BRACKET ADJ HGT 6".....	1
24A	67231	COUPLER 2-5/16" BALL BULLDOG T.....	1
24B	67230	COUPLER 2" BALL BULLDOG TMZ.....	1

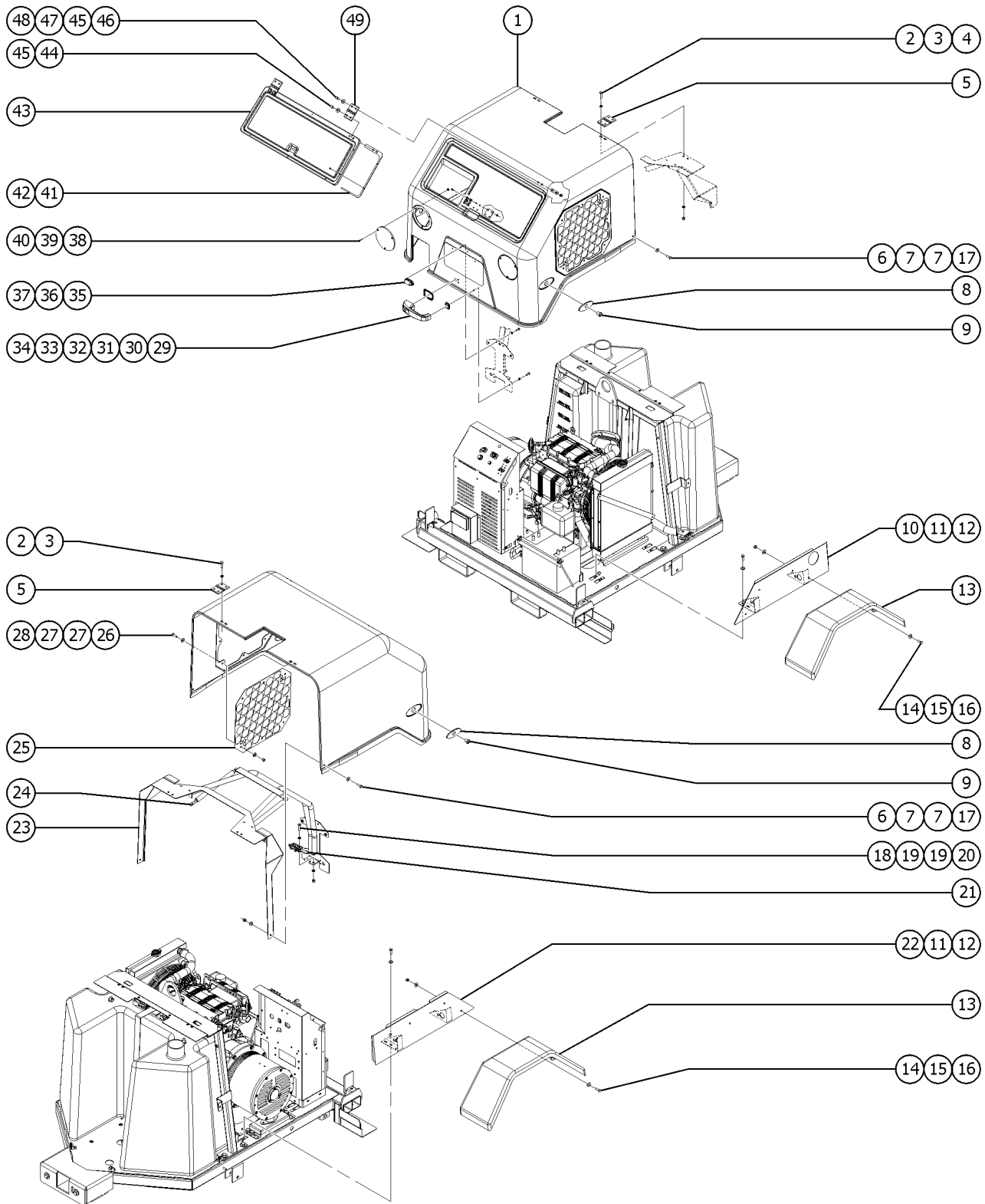
205.1 Cabinet, Front Fairing



205.1 Cabinet, Front Fairing

Item	Part No.	Description	Qty.
1	1263012	COVER, FRONT, RL4.....	1
2	1264101	SCREW.....	8
3	825358	WASHER,FLAT,5/16,USS,ZAG.....	8
4	1264109	HINGE, RL4.....	2
5	1264114	REFLECTOR, YELLOW, SIDE, RL4.....	2
6	1264116	LIGHT, YELLOW, LED, SIDE, RL4.....	2

206.1 Cabinet, Rear Fairing

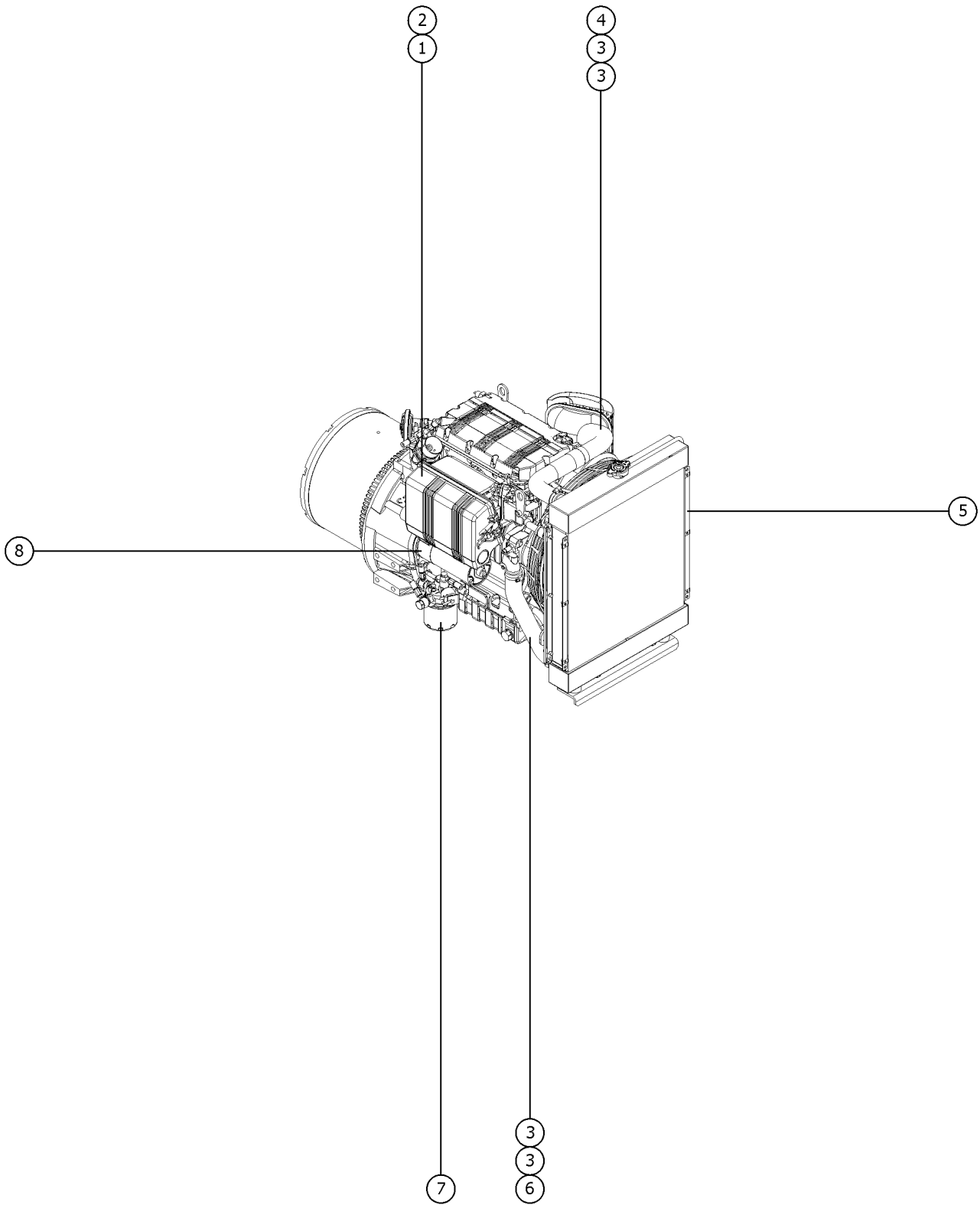




## 206.1 Cabinet, Rear Fairing

Item	Part No.	Description	Qty.	Item	Part No.	Description	Qty.
1	1263011	COBER, REAR, RL4.....	1	38	1264121	LIGHT, REAR, LED, RL4.....	2
2	1264101	SCREW.....	4	39	1253490	SCREW,PHPM,8-32 X .75,ZAG.....	6
3	825358	WASHER,FLAT,5/16,USS,ZAG.....	8	40	1263070	NUT.....	6
4	1263560	NUT.....	4	41	1267689	WELDMENT, FRAME, SUPPORT, DOOR.....	1
5	1264109	HINGE, RL4.....	2	42	1267745	RIVET, BLACK, .125 DIA.....	8
6	1264101	SCREW.....	2	43	1265418	CONTROLS DOOR, RL4, BLACK....	1
7	825358	WASHER,FLAT,5/16,USS,ZAG.....	4	44	1256464	SCREW,HHC,5/16-18X.75,8,ZAG....	4
8	1264113	REFLECTOR, RED, SIDE, RL4.....	2	45	825358	WASHER,FLAT,5/16,USS,ZAG.....	4
9	1264115	LIGHT, RED, LED, SIDE, RL4.....	2	46	1264101	SCREW.....	4
10	1263502	WELDMENT, SIDE, CABINET, RIGHT.....	1	47	1267761	PLATE, HINGE, BACKING.....	2
11	1264101	SCREW.....	8	48	1263560	NUT.....	4
12	825358	WASHER,FLAT,5/16,USS,ZAG.....	8	49	1264109	HINGE, RL4.....	2
13	1264087	FENDER, RL4.....	2				
14	1264101	SCREW.....	8				
15	825358	WASHER,FLAT,5/16,USS,ZAG.....	16				
16	1263560	NUT.....	8				
17	1263560	NUT.....	2				
18	1264361	SCREW.....	2				
19	824144	WASHER,FLAT,M8,DIN125,ZAB....	4				
20	1256456	NUT,TL,M8-1.25,DIN980,10,ZAB....	2				
21	1264123	LATCH, ROTARY, RL4.....	1				
22	1263503	WELDMENT, SIDE, CABINET, LEFT,.....	1				
23	1263102	ASSEMBLY, FRAME, SUPPORT, HATC.....	1				
24	1264108	STRUT, GAS, RL4.....	2				
25	1267773	SCREEN.....	1				
26	1264101	SCREW.....	8				
27	825358	WASHER,FLAT,5/16,USS,ZAG.....	16				
28	1263560	NUT.....	8				
29	1264122	HANDLE, PUSH BUTTON, RADLOCK,.....	1				
30	1267396	GASKET, HANDLE.....	1				
31	1256449	SCREW,HHC,M6-1.0X16,DIN931,10.3					
32	825355	WASHER,FLAT,M6,DIN125,ZAB....	3				
33	1256450	SCREW,HHC,M6-1.0X20,DIN931,10.2					
34	1264339	SCREW.....	2				
35	1264119	LIGHT, PLATE, LICENSE, RL4.....	1				
36		SCREW.....	2				
37		WASHER.....	2				

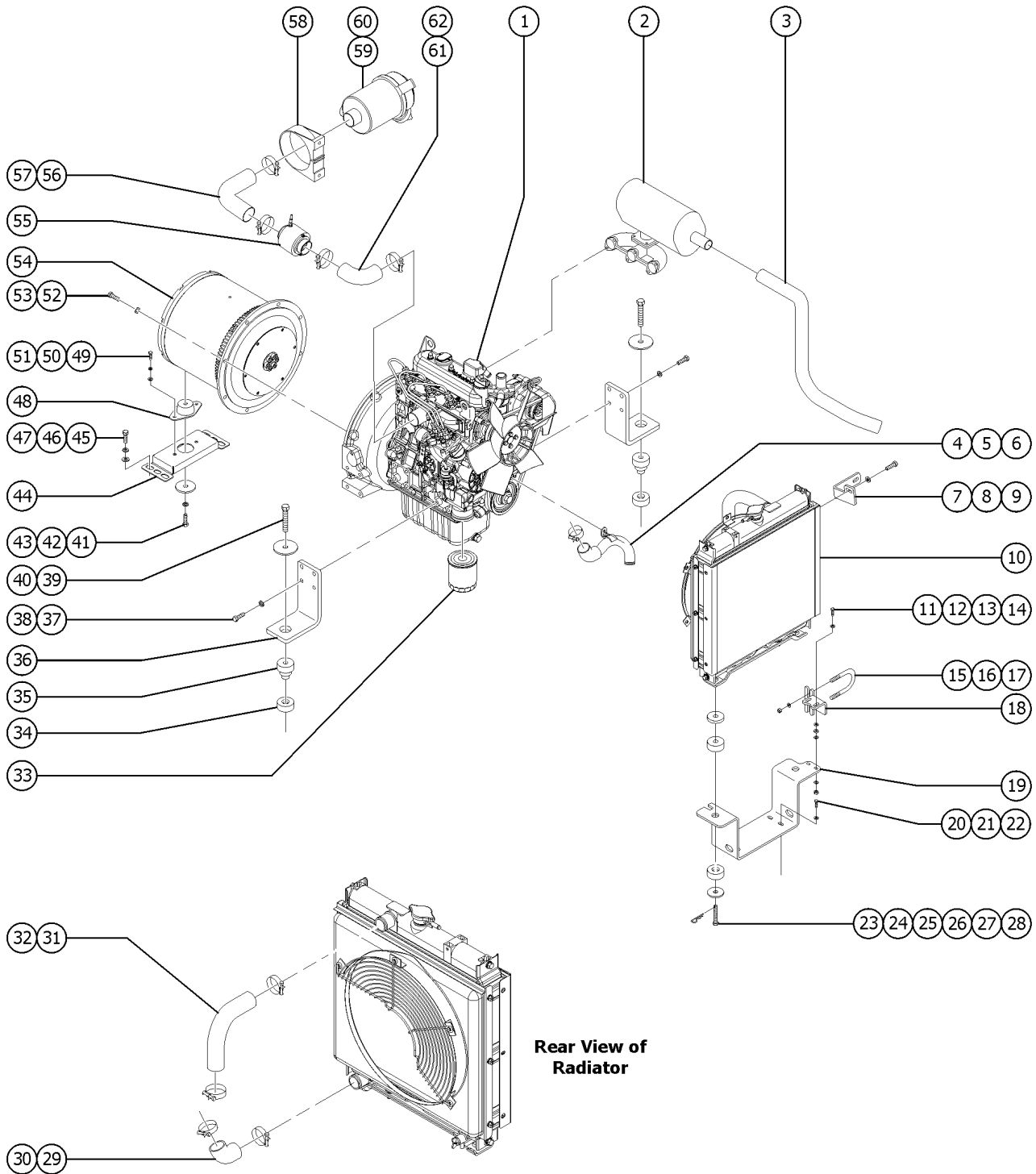
301.1 Kohler KDW1003 GE Engine



301.1 Kohler KDW1003 GE Engine

Item	Part No.	Description	Qty.
1		Air Cleaner Housing.....	1
2		Air Filter.....	1
3		Clamp, Radiator Hose.....	4
4		Radiator Hose, Upper.....	1
5		Radiator.....	1
6		Radiator Hose, Lower.....	1
7		Oil Filter.....	1
8		Starter.....	1

302.1 Kubota D1105-E3BG Engine

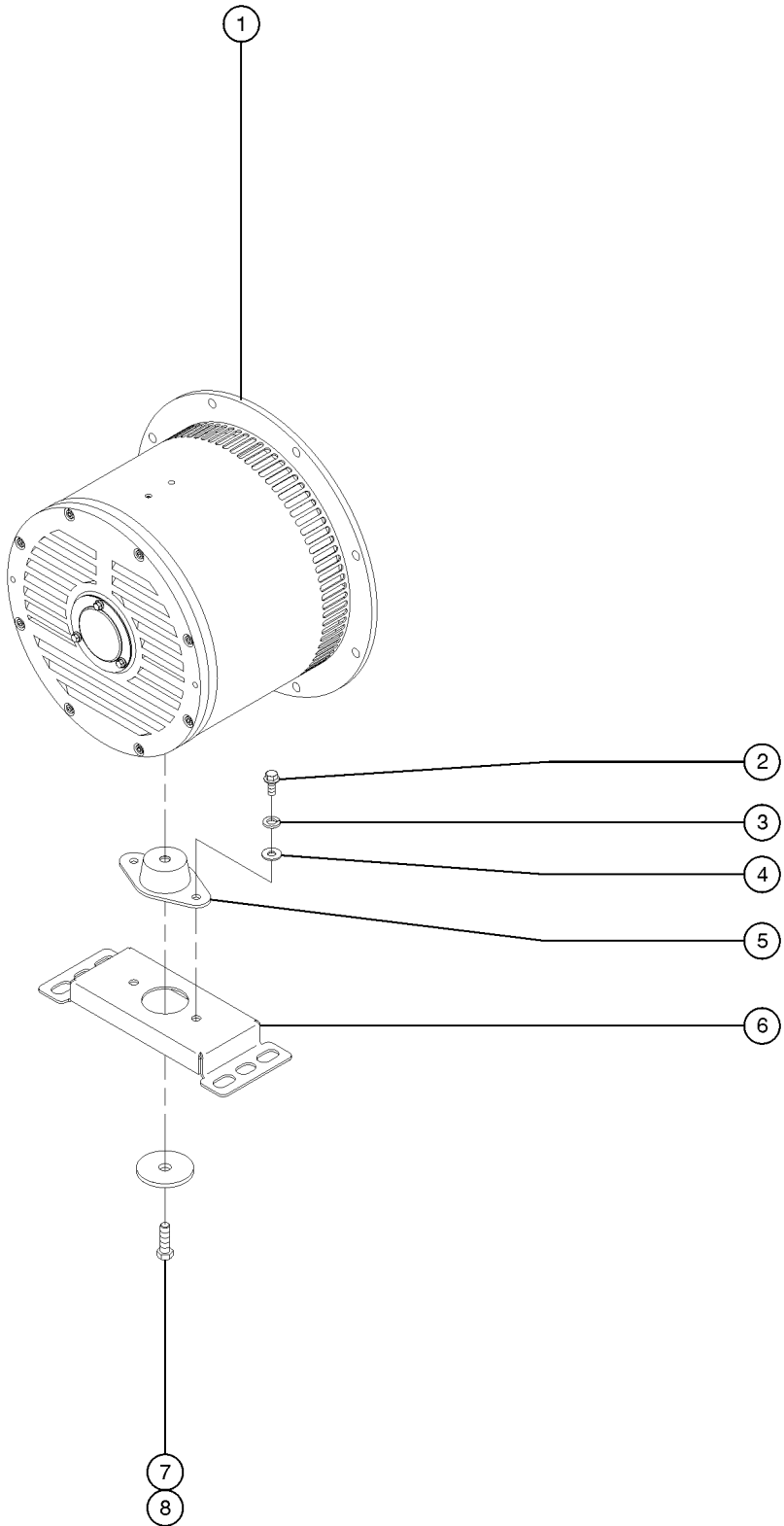


Rear View of Radiator

## 302.1 Kubota D1105-E3BG Engine

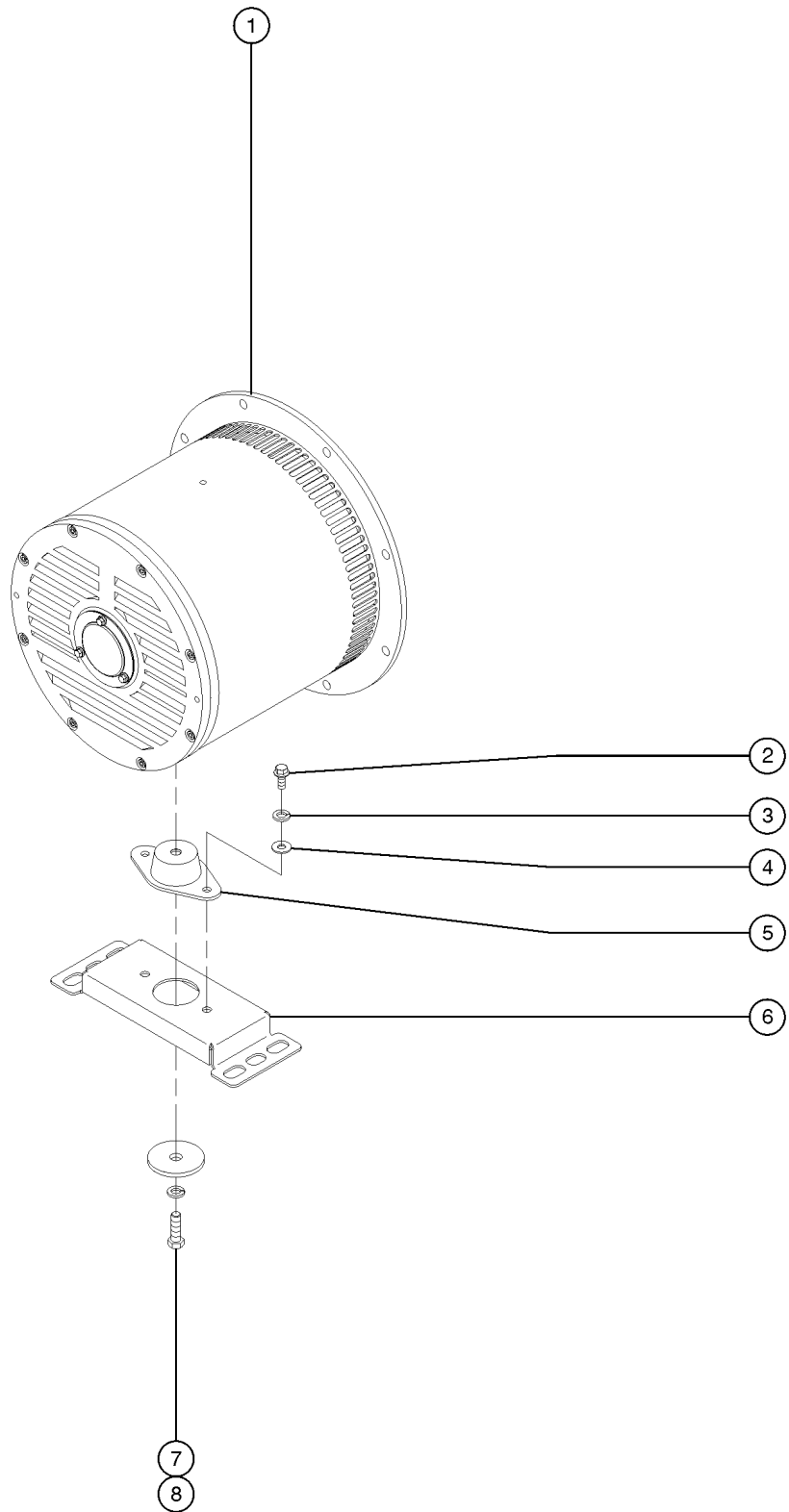
Item	Part No.	Description	Qty.	Item	Part No.	Description	Qty.
1	732200PP	ENGINE,KUBOTA,D1105,OLDREV,PAK.1		35		ISOLATER, TOP.....	2
2		MUFFLER, KUBOTA.....	1	36	1261707	MOUNT, ENGINE, KUBOTA, RL4....	2
3	1265509	KUBOTA EXHAUST.....	1	37	824068	SCREW,HHC,3/8-16X1.25,8,ZAG....	4
4		RADIATOR HOSE, LOWER.....	1	38	824110	WASHER,LOCK,3/8,ZAG.....	4
5		CLAMP, HOSE.....	2	39	990415	WASHER,FLAT,SNUB 1/2X2-3/4 ZN.....	2
6		SCREW.....	1	40	990270	SCREW,HHC,1/2-13 X 3.5 GR8.....	2
7	1267566	PLATE, BOTTOM MOUNT, KUBOTA RA.....	1	41	824068	SCREW,HHC,3/8-16X1.25,8,ZAG....	1
8	22578	SCREW,HHC,M6 X 20MM,GR8.8....	1	42	824110	WASHER,LOCK,3/8,ZAG.....	1
9	233375	WASHER,FLAT,M6 PLTD.FW.....	1	43	1256283	WASHER,FLAT,.5X2.25X.188,ZAG..	1
10	866110	RADIATOR, KUBOTA, D905 & D1105.....	1	44	1260114	PEDESTAL: GENERATOR: COLISEUM.....	1
11	8915	SCREW,HHC,1/4-20 X 1.25.....	2	45	824068	SCREW,HHC,3/8-16X1.25,8,ZAG....	4
12	75144	WASHER,FLAT,SAE 1/4",ZINC.....	2	46	824110	WASHER,LOCK,3/8,ZAG.....	4
13	1268985	WASHER, CUSHIONING.....	2	47	54355	WASHER,FLAT,SAE,3/8",Y.....	4
14	6091	NUT,NYLOCK,1/4-20.....	2	48	4280	ISOLATER, GENERATOR.....	1
15		UBOLT.....	1	49		SCREW.....	2
16		WASHER.....	2	50		WASHER, LOCK.....	2
17		NUT.....	2	51		WASHER.....	2
18	1267266	PLATER, EXHAUST, SIDE SUPPORT.....	1	52	824068	SCREW,HHC,3/8-16X1.25,8,ZAG....	8
19	1267567	PLATE, TOP MOUNT, KUBOTA RADIA.....	1	53	824110	WASHER,LOCK,3/8,ZAG.....	8
20	13002	SCREW,HHC,5/16-18 X 1 GR5.....	2	54	1260048	GEN, COLISEUM, 7KW, 240VAC,....	1
21	5397	WASHER,FLAT,USS,5/16",Y.....	2	55	237860	CHALWYN SHUTDOWN W/CABLE,6/8KW.....	1
22	36456	SPRING CLIP,5/16-18,.025-.15X....	2	56	1262439	TUBE,INTAKE,CHALWYN,KUBOTA.1	
23		SCREW.....	2	57		CLAMP, HOSE.....	2
24		WASHER, SNUBBER.....	2	58	231333	AIR CLEANER BRACKET, D1105....	1
25	1268590	VIBRATION MOUNT..... <i>used on 50Hz models only</i>	2	59	866128	COVER,AIR CLEANER,KUBOTA....	1
26	740770	VIBRATION MOUNT,35"..... <i>used on 60Hz models only</i>	2	60		FILTER, AIR.....	1
27	1268490	PLATE, SPACER, 50HZ..... <i>used on 50Hz models only</i>	2	61	1262439	TUBE,INTAKE,CHALWYN,KUBOTA.1	
28		PIN, COTTER.....	2	62		CLAMP, HOSE.....	2
29		RADIATOR HOSE ELBOW, LOWER.....	1				
30		CLAMP, HOSE.....	2				
31		RADIATOR HOSE, UPPER.....	1				
32		CLAMP, HOSE.....	2				
33	866050	FILTER,OIL,KUBOTA.....	1				
34		ISOLATER, BOTTOM.....	2				

303.1 Generator, Coliseum 6 kW



Item	Part No.	Description	Qty.
1	1260047	GEN, COLISEUM, 6KW, 240VAC,....	1
2		SCREW.....	2
3		LOCKWASHER.....	2
4		WASHER.....	2
5	1266976	ISOLATOR, GENERATOR.....	1
6	1260114	PEDESTAL: GENERATOR: COLISEUM.....	1
7	1255802	SCREW,HHF,1/2-13X2.5,8,ZAG.....	1
8	1256283	WASHER,FLAT,.5X2.25X.188,ZAG..	1

304.1 Generator, Coliseum 7 kW

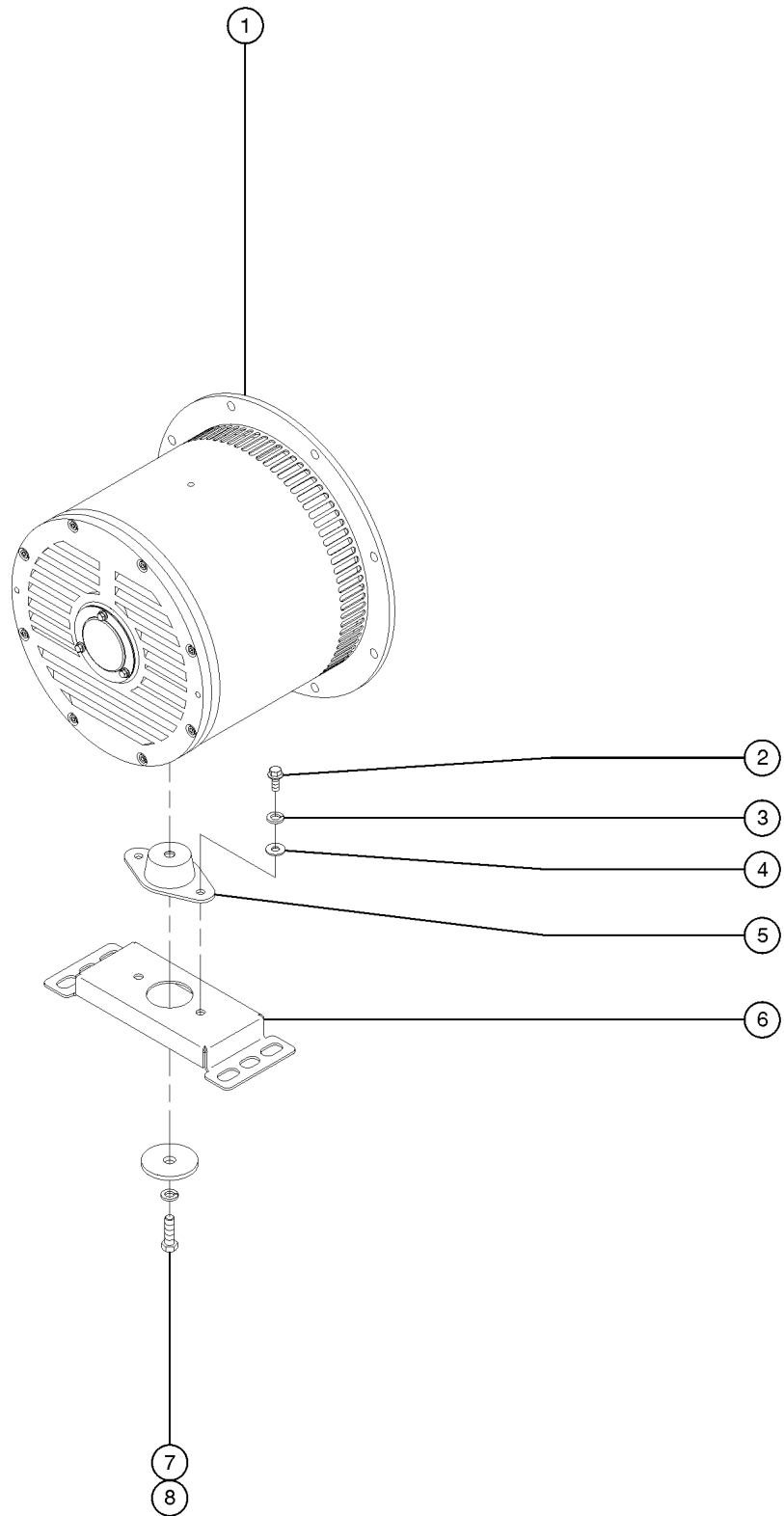




304.1 Generator, Coliseum 7 kW

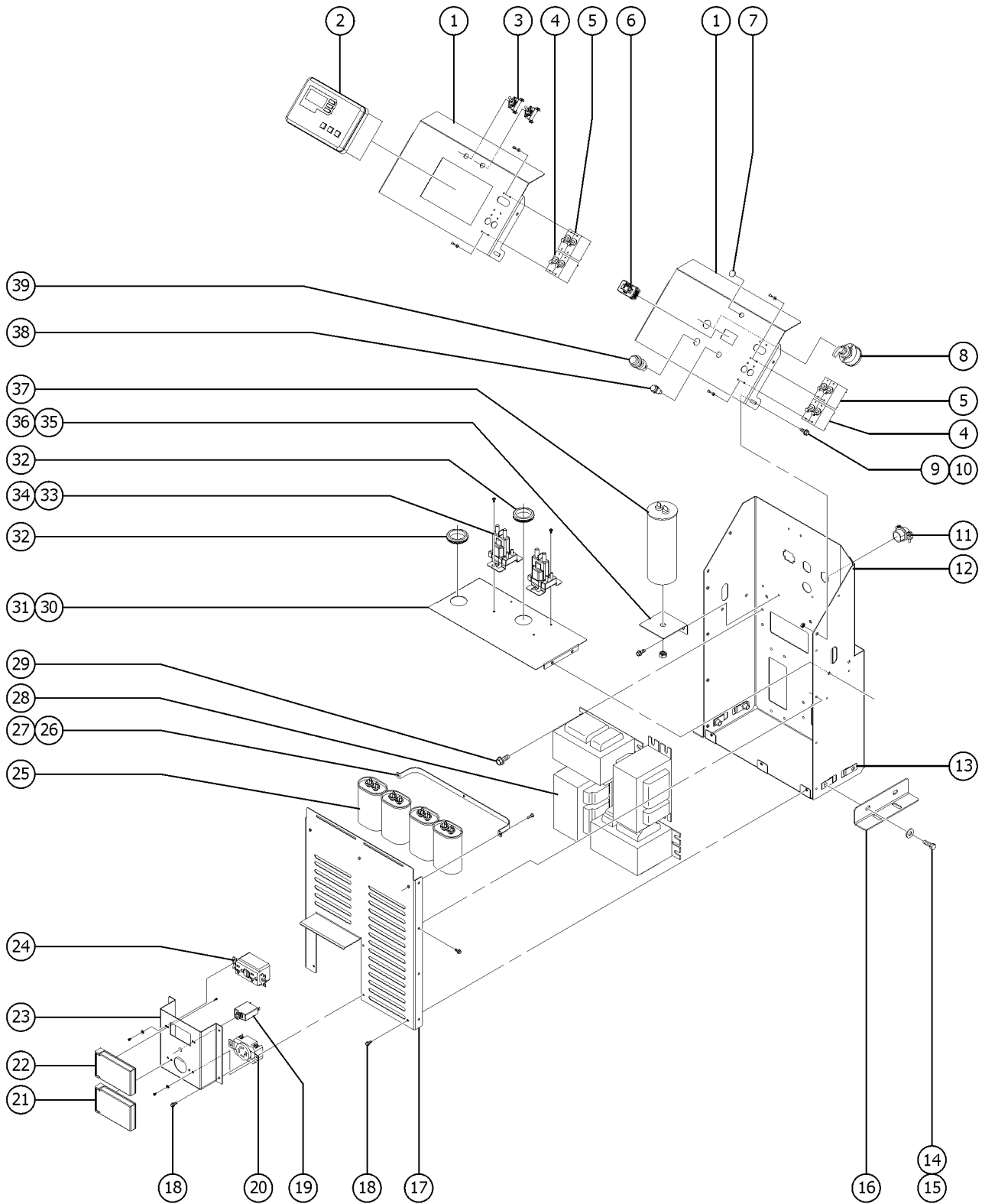
Item	Part No.	Description	Qty.
1	1260048	GEN, COLISEUM, 7KW, 240VAC,....	1
2		SCREW.....	2
3		LOCKWASHER.....	2
4		WASHER.....	2
5	1266976	ISOLATOR, GENERATOR.....	1
6	1260114	PEDESTAL: GENERATOR: COLISEUM.....	1
7	1255802	SCREW,HHF,1/2-13X2.5,8,ZAG.....	1
8	1256283	WASHER,FLAT,.5X2.25X.188,ZAG..	1

305.1 Generator, Coliseum 8 kW



Item	Part No.	Description	Qty.
1	1260093	GEN, COLISEUM, 8KW, 240VAC,....	1
2		SCREW.....	2
3		LOCKWASHER.....	2
4		WASHER.....	2
5	1266976	ISOLATOR, GENERATOR.....	1
6	1260114	PEDESTAL: GENERATOR: COLISEUM.....	1
7	1255802	SCREW,HHF,1/2-13X2.5,8,ZAG.....	1
8	1256283	WASHER,FLAT,.5X2.25X.188,ZAG..	1

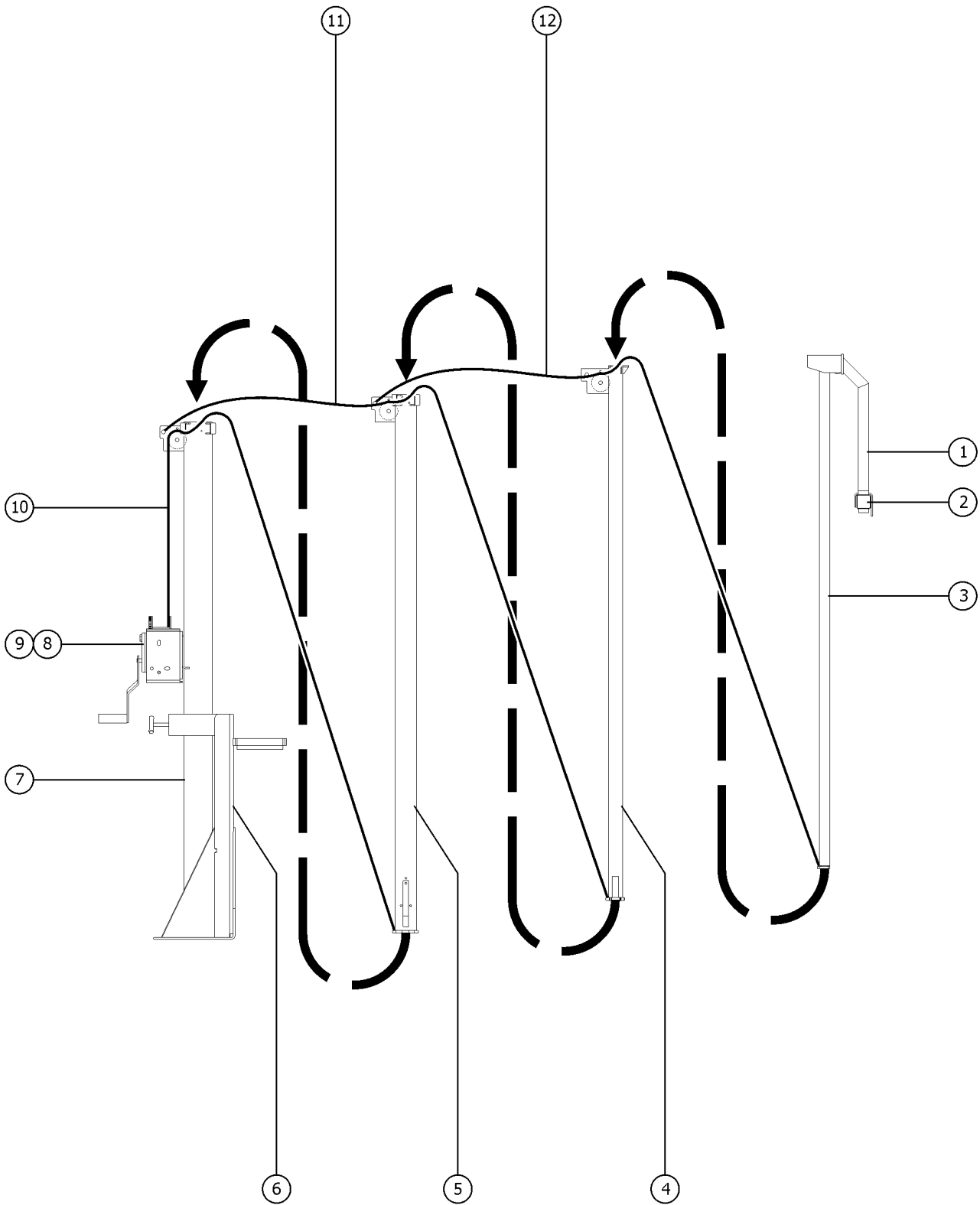
401.1 Control Box Assembly



## 401.1 Control Box Assembly

Item	Part No.	Description	Qty.	Item	Part No.	Description	Qty.
A	1266672	ASM, CONTROLS RL4 60HZ W/TL 6KW.....REF		22	1265994	COVER, WEATHERPROOF GFCI.....1	1
B	1263883	ASM, CONTROLS RL4 60HZ WO/TL.....REF		23A	1263881	PANEL, FACEPLATE, GFCI/TWIST LOCK.....1	1
C	1266673	ASM, CONTROLS RL4 60HZ AUTOSTART.....REF		23B	1266669	PANEL, FACEPLATE, GFCI.....1	1
D	1267118	ASM, CONTROLS RL4 60HZ W/TL 8KW.....REF		23C	1266670	PANEL, FACEPLATE, 50HZ TEST.....1	1
E	1267119	ASM, CONTROLS RL4 60HZ AUTOSTART.....REF		24	684640	RECEPTACLE 20A 120V DUPLEX GFI.....1	1
F	1266674	ASM, CONTROLS RL4 50HZ.....REF		25A	160032	CAPACITOR 24uF MH 60H.....4	4
G	1267426	ASM, CONTROLS RL4 50HZ AUTOSTART.....REF		25B	160033	CAPACITOR,50HZ MH,26MF(BALLAST.....4	4
1A	1264208	PANEL, FRONT CONTROL BOX, STANDARD.....1	1	26	1266009	STRAP, CONTROL BOX, CAPACITOR.....2	2
1B	1264207	PANEL, FRONT CONTROL BOX, AUTOSTART.....1	1	27		SCREW.....2	2
2	1265991	CONTROL, AUTOSTART, DYNAGEN.....1	1	28A	1255539	TRANSFORMER, MH, 60HZ 120V.....4	4
3	1263483	SWITCH, TOGGLE, SPST.....2	2	28B	1255540	TRANSFORMER, MH, 50HZ 120V.....4	4
4	1267913	BREAKER, 25A 125VAC SPST.....2	2	29	1268227	SCREW, 1/4-20 X .5 HW TF, PATC.....16	16
5	T113644	BREAKER,30A 250VAC 2P,CSA.....2	2	30	1263880	PANEL, HEAT SHIELD.....1	1
6	T106193	HOURMETER,DIGITAL,RECTANGULAR.1	1	31	824207	RIVET,STL,STL,DOME,1/4X.375,Z.4	4
7	1265992	PLUG, CONTROL BOX 1/2".....1	1	32	1267117	GROMMET, 1.5 " DIA.....2	2
8	684380	IGNITION SWITCH,LEVER OPR.....1	1	33	1263482	CONTACTOR 100A, SNGL 12VDC AUTOSTART.....2	2
9	824078	SCREW,HHF,1/4-20X.75,8,ZAG.....2	2	34	1268228	SCREW, #10-24 X .500 T-FORMING.....4	4
10	6889	NUT,LP NYLOCK,1/4-20.....2	2	35	1264209	BRACKET, CAPACITOR.....1	1
11	680030	CONNECTOR 2 SCREW 3/4.....3	3	36	1268228	SCREW, #10-24 X .500 T-FORMING.....2	2
12	1263877	PANEL, REAR CONTROL BOX.....1	1	37	1267424	CAPACITOR, 43 µf, 630V.....1	1
13	36456	SPRING CLIP,5/16-18,.025-.15X.....4	4	38	682715	LIGHT INDICATOR 12VRED.....1	1
14	1264101	SCREW,HHC,5/16-18X1,8,ZAG.....4	4	39	R660010	SWITCH, PUSH BUTTON.....1	1
15	825358	WASHER,FLAT,5/16,USS,ZAG.....4	4				
16	1266600	BRACKET, CONTROL BOX, FLOAT.....2	2				
17	1263879	PANEL, TRANSFORMER COVER.....1	1				
18	1268228	SCREW, #10-24 X .500 T-FORMING.....11	11				
19	T113642	BREAKER,20A MINI,120VAC 1P,CSA.....1	1				
20	686160	RECEP 30A 120/240V 4 POLE.....1	1				
21	1265993	COVER, WEATHERPROOF TWIST LOCK.....1	1				

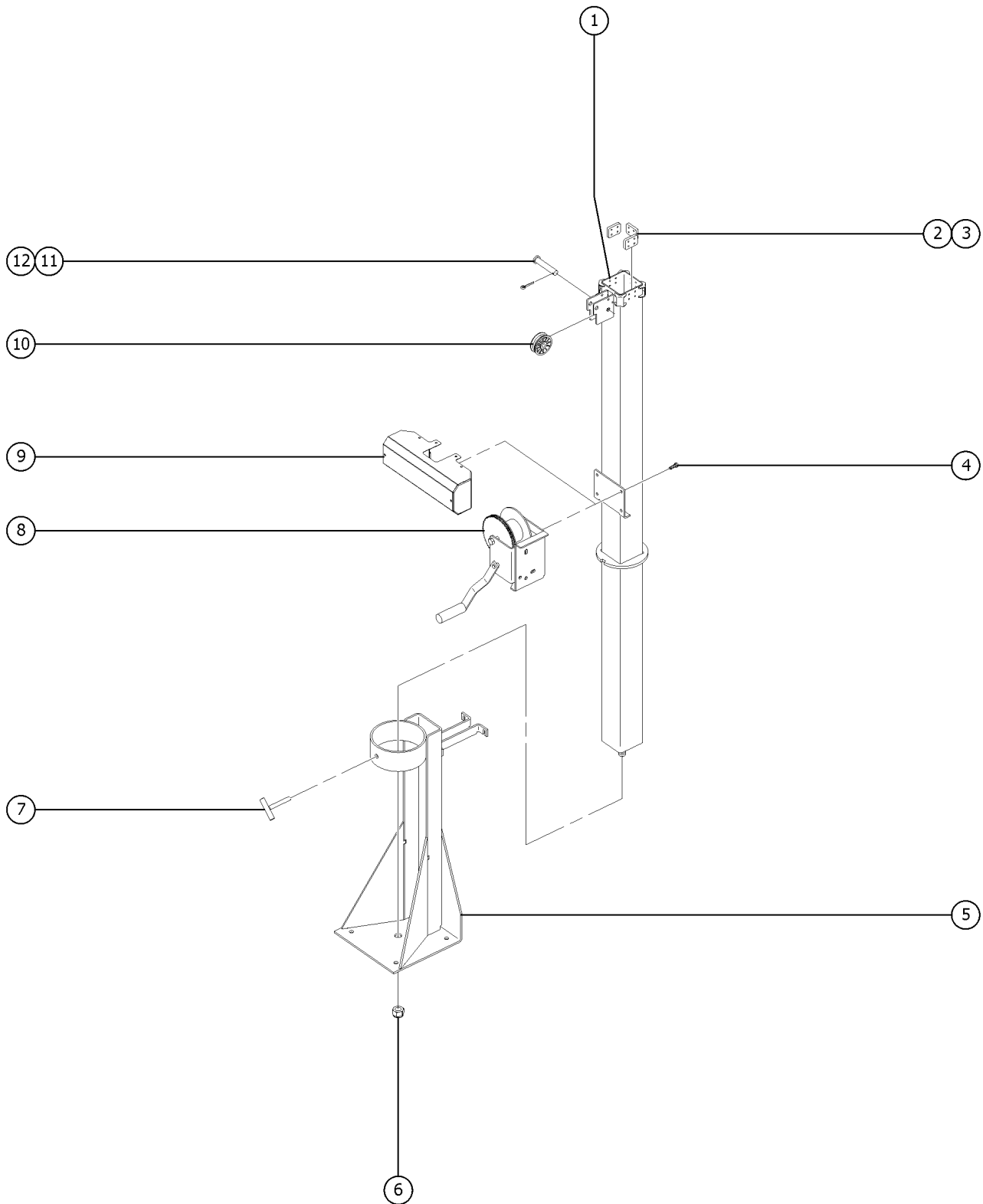
501.1 Mast Assembly and Cable Routing



501.1 Mast Assembly and Cable Routing

Item	Part No.	Description	Qty.
1	1263682	WELDMENT, LIGHT DROPBAR.....1	1
2	1264291	WELDMENT, LIGHT XBAR.....1	1
3	1264062	ASSY, MAST 1.5 INCH.....1	1
4	1263662	ASSY, MAST 2 INCH.....1	1
5	1263657	ASSY, MAST 3 INCH.....1	1
6	1263687	WELDMENT, VMAST BASE.....1	1
7	1263652	ASSY, MAST 4 INCH.....1	1
8	C61100200	WINCH,W/HNDL,5.1:1,1500LBS....1	1
9		WINCH, ELECTRIC.....1	1
10	1266135	CABLE SECTION 1.....1	1
11	1266136	CABLE SECTION 2.....1	1
12	1266137	CABLE SECTION 3.....1	1

502.1 Tower Base and Mast Assembly, 4" Inch

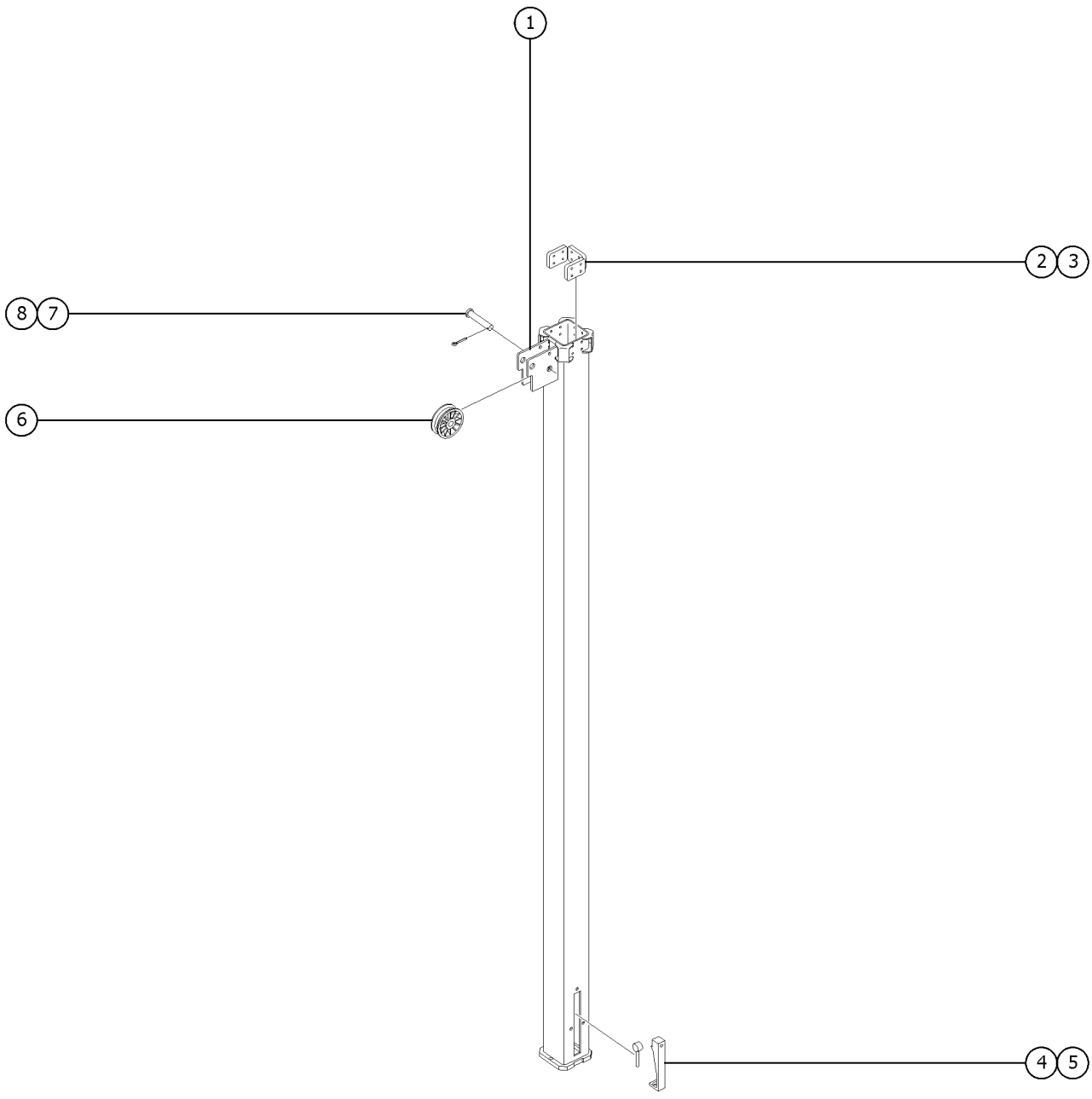




502.1 Tower Base and Mast Assembly, 4" Inch

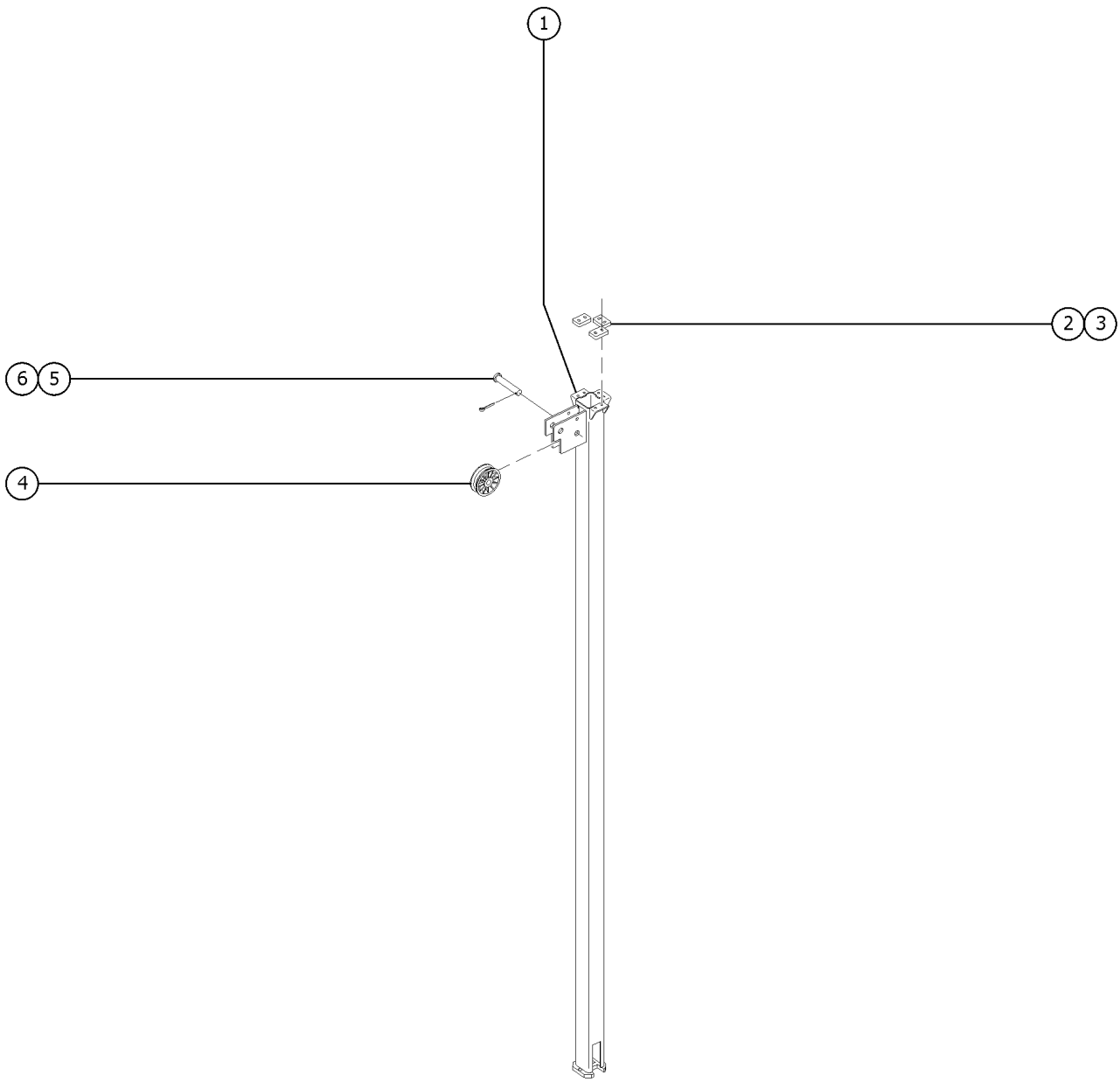
Item	Part No.	Description	Qty.
1	1263653	WELDMENT, MAST 4" INCH.....	1
2	217073	WEAR PAD, TOWER, RL4.....	3
3		RIVET.....	12
4		SCREW.....	1
5	1263687	WELDMENT, VMAST BASE.....	1
6	C54100200	NUT, NYLOCK 7/8-9 Z.....	1
7	990610	BOLT, TEE 1/2-20 X 4.5.....	1
8	C61100200	WINCH, W/HNDL, 5.1:1, 1500LBS....	1
9		WINCH, ELECTRIC.....	1
10	188770	SHEAVE.....	1
11	1266137	PIN, CLEVIS.....	1
12		PIN, COTTER.....	1

503.1 Mast Assembly, 3" Inch



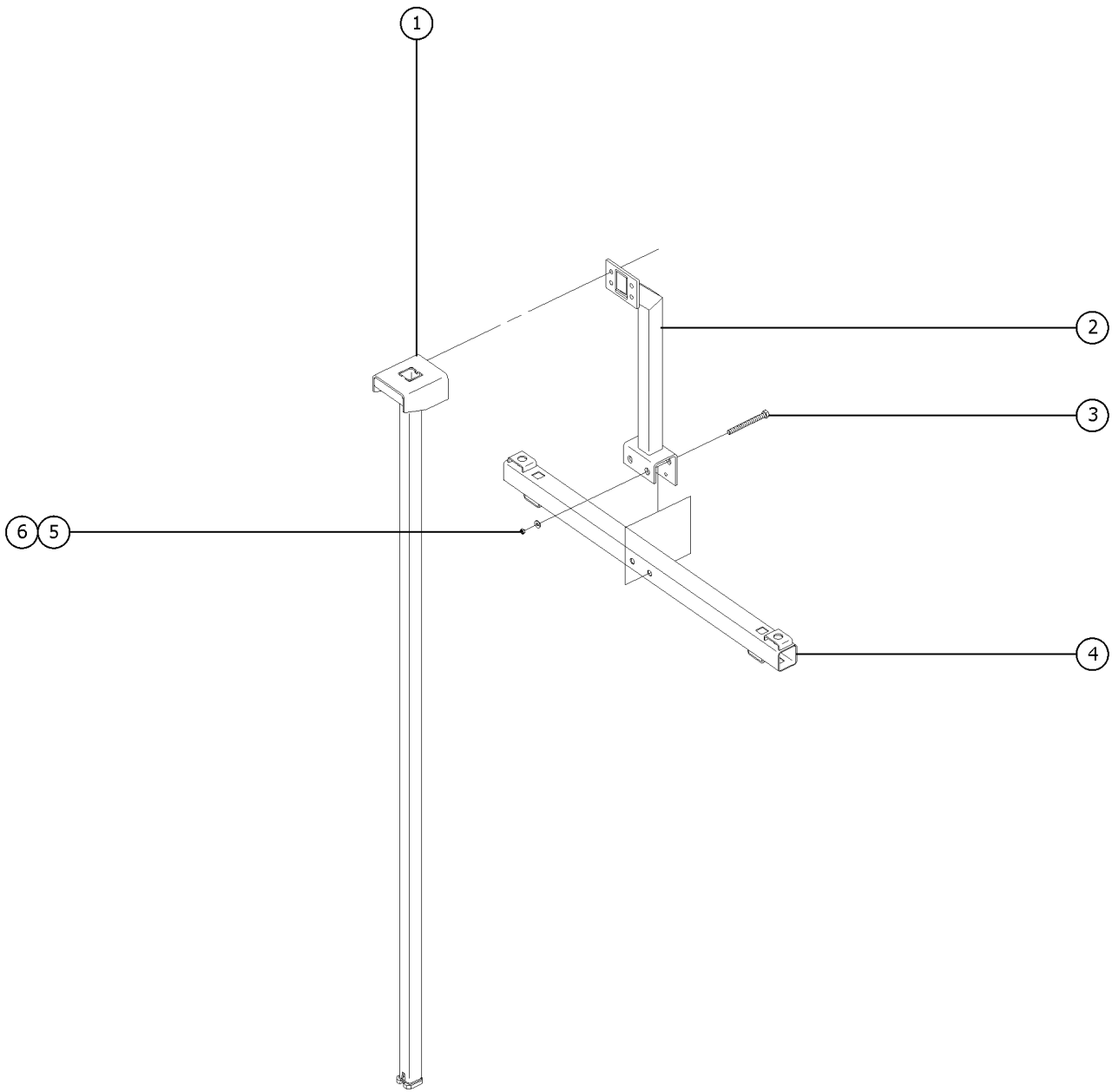
Item	Part No.	Description	Qty.
1	1263658	WELDMENT, MAST 4" INCH.....	1
2	217073	WEAR PAD, TOWER, RL4.....	3
3		RIVET.....	12
4		.....	1
5		.....	1
6	188770	SHEAVE.....	1
7	1266137	PIN, CLEVIS.....	1
8		PIN, COTTER.....	1

504.1 Mast Assembly, 2" Inch



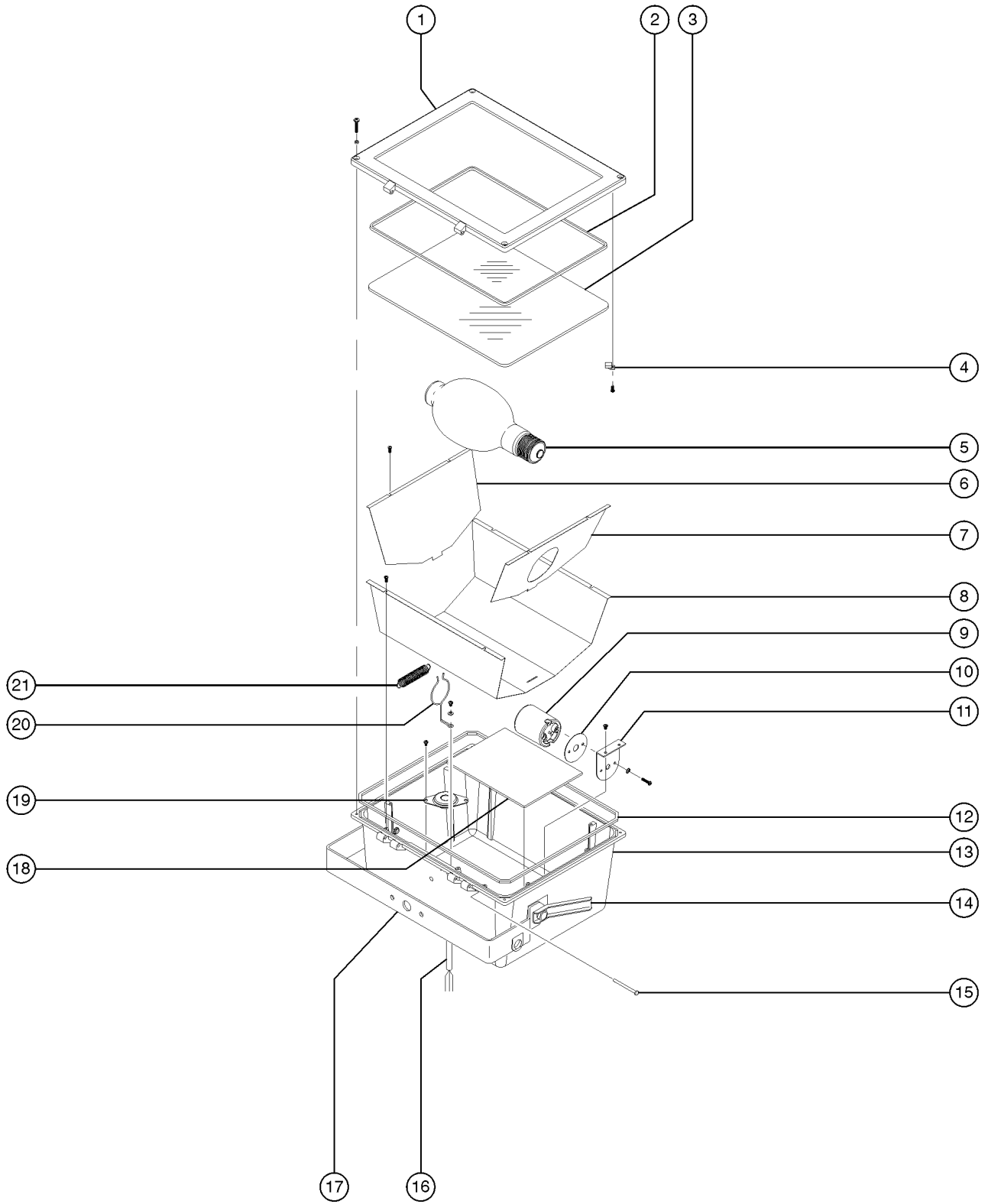
Item	Part No.	Description	Qty.
1	1263663	WELDMENT, MAST 2INCH.....	1
2	1264060	WEARPAD, VMAST, HALF.....	3
3		SCREW.....	6
4	188770	SHEAVE.....	1
5	1266137	PIN, CLEVIS.....	1
6		PIN, COTTER.....	1

505.1 Mast Assemblt, 1.5" Inch



Item	Part No.	Description	Qty.
1	1264062	ASY, MAST 1.5INCH.....	1
2	1263282	ASY, LIGHT BAR SUPPORT.....	1
3		SCREW.....	2
4	1264291	WELDMENT, LIGHT XBAR.....	1
5		WASHER.....	2
6		NUT.....	2

506.1 Light Assembly, Square

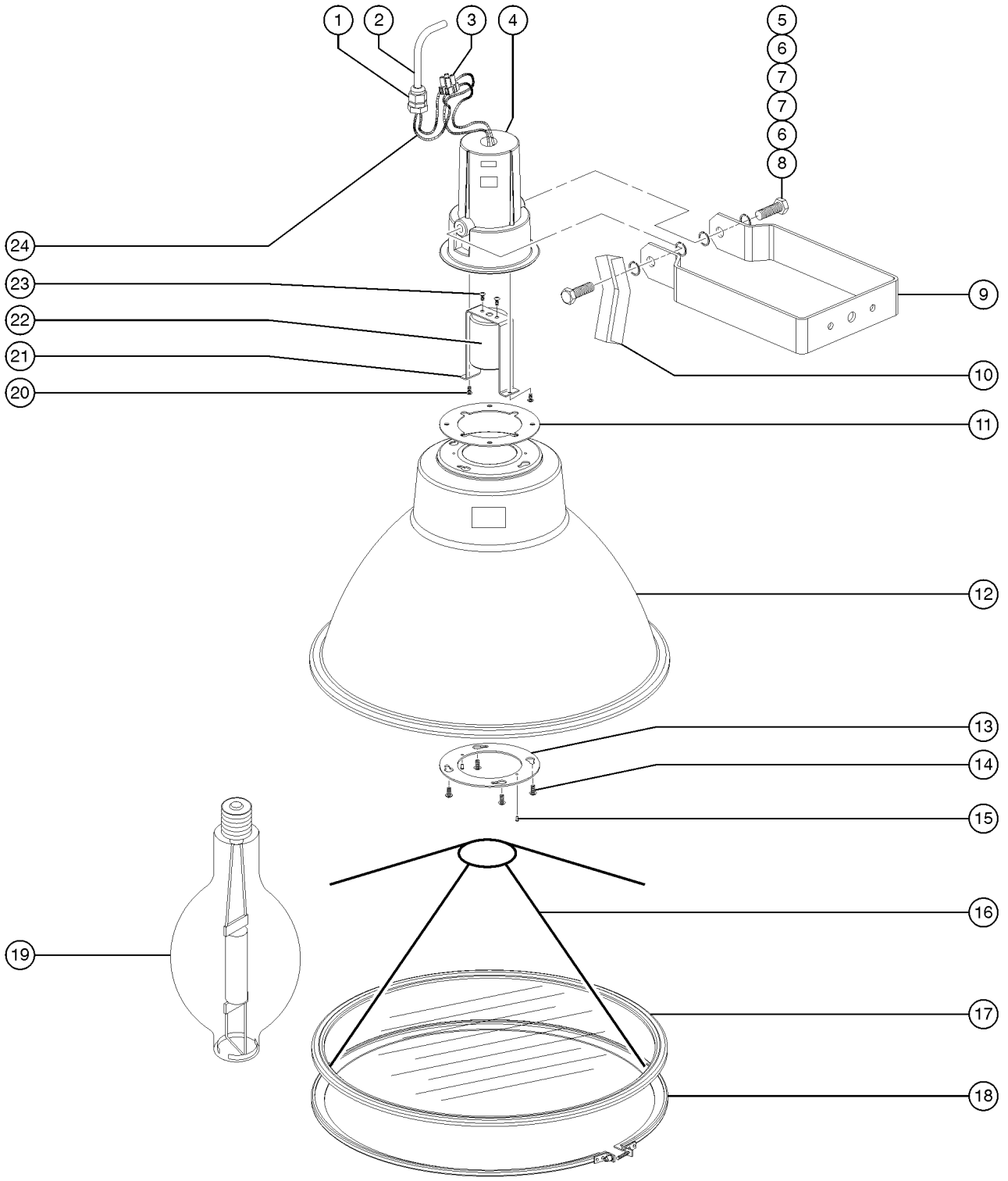




506.1 Light Assembly, Square

Item	Part No.	Description	Qty.	Item	Part No.	Description	Qty.
--	161090	FIXTURE ASSEMBLY 1000W RECT <i>TML models with hard-wired pigtail (does not include items 14 and 17)</i>		17	116055	YOKE,PSI RECT.LIGHT FIXTURE.....1 <i>RL models</i>	1
--	161095	FIXTURE ASSEMBLY 1000W RECT <i>RL models (includes items 14 and 17)</i>		18	116059	FIBERGLASS PAD,RECT LAMP FIXT.....1	1
--	232508	FIXTURE RECT TML 1000W <i>TML models with plug-in pigtail connector (does not include items 14 and 17)</i>		19	116109	GROMMET ASSEMBLY.....1	1
1	116054	TOP FRAME,HOUSING BASE.....1		20	116058	LAMP BRACE, RECT HOUSING.....1	1
2	116049	GASKET,RECTANGULAR GLASS/LENS.....1		21	116061	SPRING, LAMP RETAINER.....1	1
3	116048	GLASS/LENS,RECTANGULAR PSI.....1 <i>(14.14 x 10.83 inches)</i>					
3A	80103	LENS,LIGHT (57449) <i>(15.38 x 12.13 inches)</i>					
3B	116010	GLASS LENS <i>(17.5 x 9.75 inches)</i>					
4	116051	RETAINER CLIP,GLASS/LENS.....4					
4	116052	COVER,GLASS/LENS RETAINER CLIP.....4					
5	160077	LAMP MH 1000W BT37HOR.....1					
6	116046	REFLECTOR SIDE.....1					
7	116047	REFLECTOR LAMP SIDE.....1					
8	116045	REFLECTOR BASE.....1					
9	116057	LIGHT SOCKET,PSI RECT 5 KV.....1 <i>includes pigtail</i>					
10	116056	GASKET,LIGHT SOCKET.....1					
11	116044	BRACKET, SOCKET MOUNT.....1					
12	116053	GASKET,HOUSING BASE, TOPFRAME.....1					
13	116042	FIXTURE HOUSING BASE,1KW RECT.....1 <i>(replaced 116108)</i>					
14	116064	HANDLE, ADJUSTMENT.....2 <i>RL models</i>					
14	823380	BOLT, HANDLE.....2					
14	991650	WASHER LOCK 1/2ZP.....2 <i>RL models</i>					
14	995970	WASHER LOCK STAR 1/2E.....2 <i>RL models</i>					
15	116043	CLEVIS PIN,4.6X60MM.....2					
16	663850	CORD SET MALE 5FT. 3P.....1					

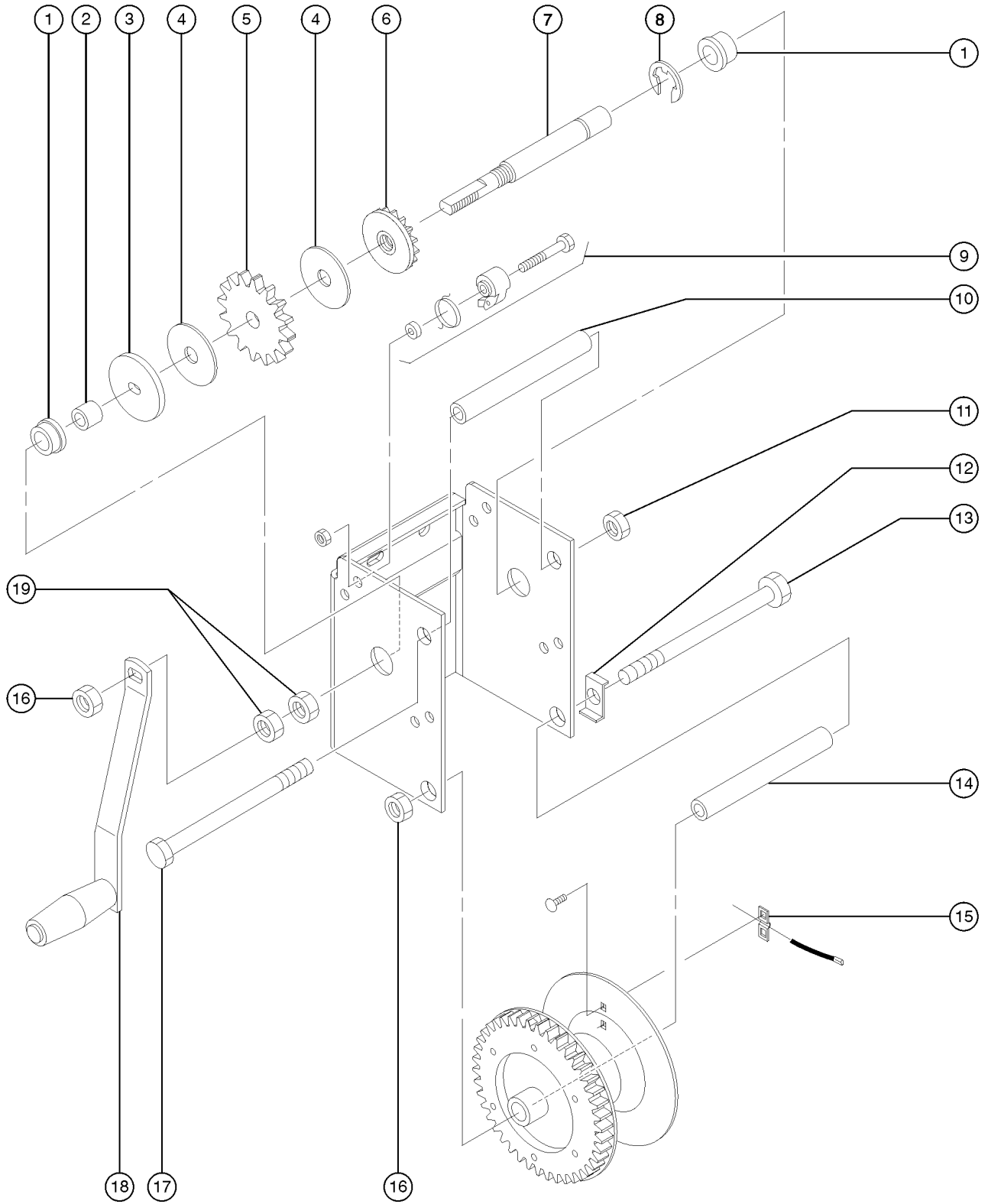
507.1 Light Assembly, 19" Round



## 507.1 Light Assembly, 19" Round

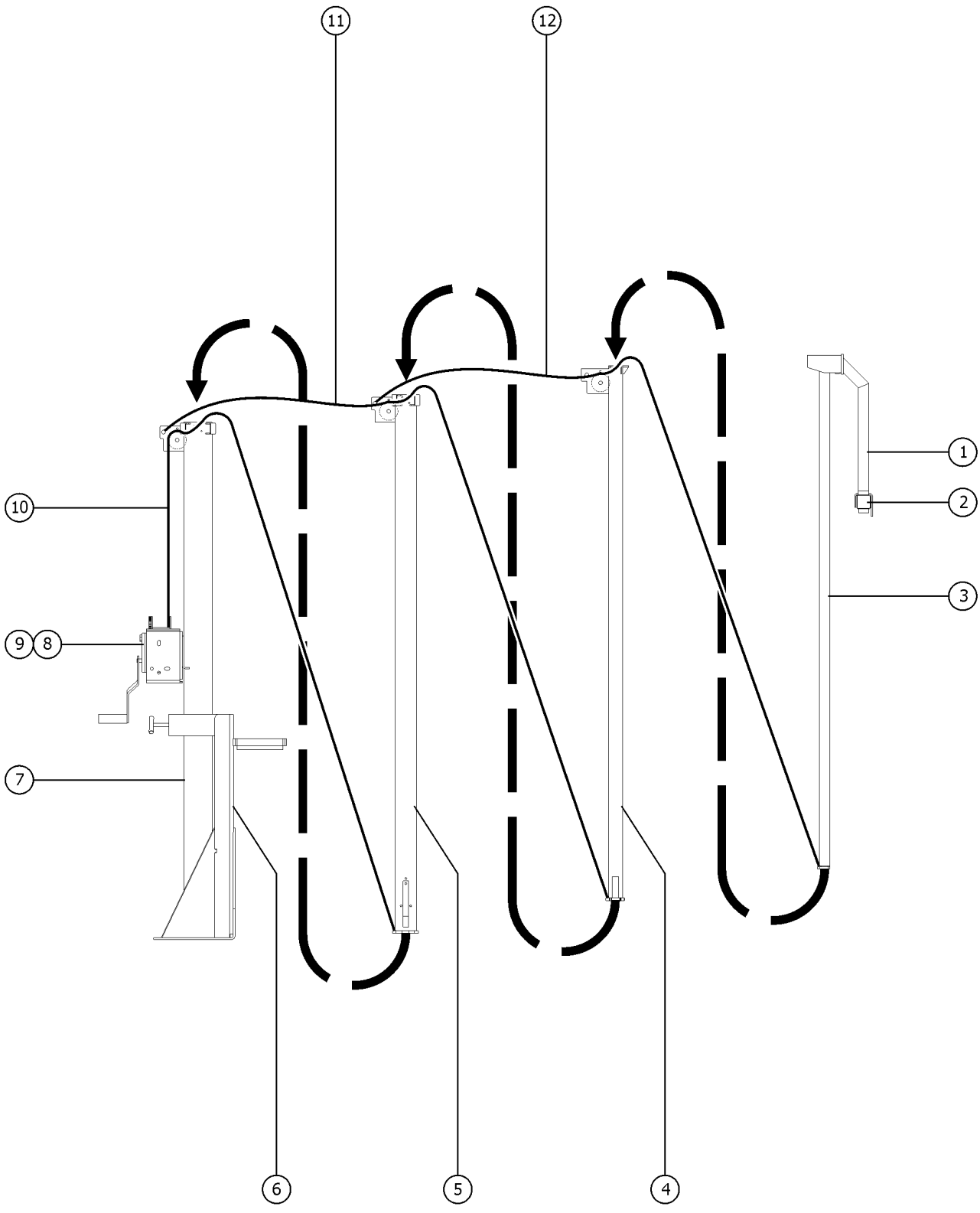
Item	Part No.	Description	Qty.	Item	Part No.	Description	Qty.
--	C41100720	LIGHT FIXTURE,MH,AL4,RL4,AL5 <i>Light Fixture, Complete (silver)</i>		23	833577	SCREW,RHM,6-32X5/8.....	2
--	161281	FIXTURE LIGHT MH BLACK COATED <i>Light Fixture, Complete (black)</i>		24	833582	SLEEVE,WIRE,FIBERGLASS.....	1
1	680020	LOCKNUT,CONDUIT,1/2 CSA APPVD.....	1				
1	682470	CONN,STRAIN RELIEF,1/2 NPT.....	1				
1	683950	GASKET,STRAIN RELIEF,1/2.....	1				
2	663850	CORD SET MALE 5FT. 3P.....	1				
3	709034	TERMINAL STRIP,CE.....	1				
4	833567	CASTING,FIXTURE QUICK CONNECT..... <i>silver</i>	1				
5	990810	SCREW,HHC,1/2-13 X 1.5.....	1				
6	991650	WASHER LOCK 1/2ZP.....	2				
7	995970	WASHER LOCK STAR 1/2E.....	2				
8	981640	SCREW,HHC,1/2-13 X 1.25.....	1				
9	833566	BRKT,TRUNION..... <i>silver</i>	1				
10	833573	T-HANDLE..... <i>silver</i>	1				
11	833569	GASKET, HOUSING REFLECTOR BASE.....	1				
12	833547	REFLECTOR & LENS ASSY STD FIX..... <i>silver; includes items 17-18</i>	1				
--	833568	REFLECTOR (C41100720)					
13	833570	RING,REINFORCING (C41100720)					
14	833571	SCREW,PHM,10-24 X 5/8					
15	990675	RIVET POP 1/8X.390 GR					
16	22120102	SPIDER, MH/HPS					
17	833524	LENS W/GASKET (C41100720)					
--	C2450108	LENS GASKET FOR LIGHT FIXTURE					
18	833543	CLAMP,LENS (C41100720) <i>includes fasteners</i>					
--	833574	SCREW,HH SLOT,8-32X1					
--	833578	NUTSERT,8-32 (833543)					
--	833581	WASHER,CLAMP,RUBBER(833543)					
19	160071	LAMP MH 1000W M1000/U SYL.....	1				
20	833565	SCREW,PHM,8-32X3/8.....	2				
21	833563	BRKT,SOCKET MOGUL FO.....	1				
22	833564	SOCKET BASE-MOGUL.....	1				

508.1 Winch



Item	Part No.	Description	Qty.
--	C61100200	WINCH,W/HNDL,5.1:1,1500LBS.....1 <i>(item 15 not included)</i>	
1	6199	BUSHING, SMALL PINION, FULTON.....2	
2	32890	SPACER,PINION SHAFT.....1	
3	7591	WINCH PINION PLATE, K-1550.....1	
4	7571	BRAKE DISK,.5 BORE,K-1550.....2	
5	6777	RATCHET GEAR,K-1550 1/2" I.D.....1	
6	7590	PINION GEAR AND DISC K-1550...1	
7		PINION SHAFT.....1 <i>(not available separately)</i>	
8	6200	RETAINING RING.....1	
9	6291	RATCHET KIT (K-1500,K-1550)**....1	
10	7584	FRAME SPACER,K-1550.....1	
11	12012	NUT,LOCK,3/8-16	
12	31946	WINCH BRACKET, DRUM BOLT LOCK.....1	
13	22832	SCREW,HHC,3/8-16 X 6	
14	6184	SPACER, DRUM BOLT, K-1550.....1	
15	6190	CABLE KEEP.KIT (BRACKET TYPE)*.....1 <i>includes fasteners</i>	
16	6198	NUT,NYLOCK,1/2-13.....2	
17	69209	SCREW,HHC,3/8-16 X 5.5 GRD 8	
18	C61100201	HANDLE FOR 1500# WINC.....1	
19	6034	NUT,HEX,JAM,1/2-13	

501.1 Mast Assembly and Cable Routing



501.1 Mast Assembly and Cable Routing

Item	Part No.	Description	Qty.
1	1263682	WELDMENT, LIGHT DROPBAR.....1	
2	1264291	WELDMENT, LIGHT XBAR.....1	
3	1264062	ASSY, MAST 1.5 INCH.....1	
4	1263662	ASSY, MAST 2 INCH.....1	
5	1263657	ASSY, MAST 3 INCH.....1	
6	1263687	WELDMENT, VMAST BASE.....1	
7	1263652	ASSY, MAST 4 INCH.....1	
8	C61100200	WINCH,W/HNDL,5.1:1,1500LBS....1	
9		WINCH, ELECTRIC.....1	
10	1266135	CABLE SECTION 1.....1	
11	1266136	CABLE SECTION 2.....1	
12	1266137	CABLE SECTION 3.....1	

## Part Number Index

The Part Number Index is a numeric index of all part numbers included in this manual. The index shows what page(s) the part is used on.

Part Number	Page	Part Number	Page	Part Number	Page	Part Number	Page
116010	49	1263881	37	1266677	13	6-5208-44	21
116021	15	1263883	15, 37	1266678	13	6024	21
116042	49	1264060	45	1266679	13	6034	53
116043	49	1264062	39, 47, 55	1266881	11	6035	21
116044	49	1264065	15	1266883	11	6091	29
116045	49	1264087	25	1266884	11	6095	21
116046	49	1264101	15, 23, 25, 37	1266885	11	6184	53
116047	49	1264108	25	1266886	13	6190	53
116048	49	1264109	23, 25	1266887	11	6198	21, 53
116049	49	1264113	25	1266888	11	6199	53
116051	49	1264114	23	1266889	13	6200	53
116052	49	1264115	25	1266973	13	6291	53
116053	49	1264116	23	1266976	31, 33, 35	663850	49, 51
116054	49	1264119	25	1267099	13	67230	21
116055	49	1264121	25	1267102	13	67231	21
116056	49	1264122	25	1267103	13	6777	53
116057	49	1264123	25	1267104	13	680020	51
116058	49	1264207	37	1267117	37	680030	37
116059	49	1264208	37	1267118	37	682470	51
116061	49	1264209	37	1267119	37	682715	37
116064	49	1264291	39, 47, 55	1267266	29	683950	51
116109	49	1264339	25	1267396	25	684380	37
116936	21	1264361	25	1267424	37	684640	37
116937	21	1264508	15	1267426	37	686160	37
116949	19	1264511	15	1267521	15	6889	37
12012	53	1264512	15	1267566	29	69209	53
123461	21	1264517	15	1267567	29	709034	51
1253490	25	1264555	15	1267689	25	72086	11, 13
1254805	15	1264813	17	1267745	25	732200PP	29
1255539	37	1264814	17	1267761	25	740770	29
1255540	37	1265275	15	1267773	25	75144	29
1255760	15	1265317	15	1267913	37	7571	53
1255761	15	1265409	17	1268227	37	7584	53
1255764	17	1265418	25	1268228	37	7590	53
1255802	31, 33, 35	1265441	15	1268490	29	7591	53
1255804	15	1265509	29	1268590	29	7604	19
1256283	29, 31, 33, 35	1265729	15	1268985	29	790540	21
1256449	25	1265991	37	13002	29	80103	49
1256450	25	1265992	37	133062	11, 13	823380	49
1256456	25	1265993	37	133461	11, 13	824068	29
1256464	17, 25	1265994	37	13854	21	824078	37
1256844	15	1266009	37	160032	37	824110	29
1258049	15	1266135	39, 55	160033	37	824144	25
1260047	31	1266136	39, 55	160071	51	824207	37
1260048	29, 33	1266137	39, 41, 43, 45, 55	160077	49	825079	17
1260093	35	1266143	15	161090	49	825081	17
1260114	29, 31, 33, 35	1266144	15	161095	49	825355	25
1261639	15	1266197	15	161281	51	825358	15, 23, 25, 37
1261707	29	1266212	15	176335	21	833524	51
1262263	17	1266256	15	183731	21	833543	51
1262439	29	1266600	15, 37	188770	41, 43, 45	833547	51
1262632	21	1266647	11	213770	21	833563	51
1263011	25	1266648	11	217073	41, 43	833564	51
1263012	23	1266649	11, 13	217717	17	833565	51
1263070	25	1266650	11	218691	21	833566	51
1263088	15	1266651	11, 13	22120102	51	833567	51
1263092	15	1266652	11, 13	22578	29	833568	51
1263102	25	1266653	11	227082	21	833569	51
1263282	47	1266654	11, 13	22832	53	833570	51
1263482	37	1266655	11	229102	11, 13	833571	51
1263483	37	1266656	11	230561	19	833573	51
1263502	25	1266657	11	230578	19	833574	51
1263503	25	1266658	11, 13	231333	29	833577	51
1263560	25	1266659	11, 13	232508	49	833578	51
1263652	39, 55	1266660	11, 13	233375	29	833581	51
1263653	41	1266661	11	236978	19	833582	51
1263657	39, 55	1266667	11	237860	29	834228	19
1263658	43	1266668	13	31946	53	834250	19
1263662	39, 55	1266669	37	32890	53	840376	15, 19
1263663	45	1266670	37	36456	17, 29, 37	866050	29
1263682	39, 55	1266672	37	4280	29	866110	29
1263687	39, 41, 55	1266673	37	52475	11, 13	866128	29
1263877	37	1266674	37	5397	29	8915	29
1263879	37	1266675	13	54355	29	89163	21
1263880	37	1266676	13	57332	15, 21	97518	11



<b>Part Number</b>	<b>Page</b>
981640 .....	51
990200 .....	15
990270 .....	29
990415 .....	29
990610 .....	41
990675 .....	51
990810 .....	51
991650 .....	21, 49, 51
995310 .....	15, 21
995970 .....	49, 51
C2450108 .....	51
C41100720 .....	51
C54100200 .....	41
C61100200 .....	39, 41, 53, 55
C61100201 .....	53
C82100102 .....	19
M007214 .....	15
R660010 .....	37
T106193 .....	37
T109127 .....	21
T109129 .....	21
T110632 .....	21
T113642 .....	37
T113644 .....	37

## Part Description Index

The Part Description Index is an alphabetical index of all part descriptions included in this manual. The index shows what page(s) the part is used on.

### A

AIR CLEANER BRACKET, D1105.....29  
 Air Cleaner Housing.....27  
 Air Filter.....27  
 AS-RING HITCH MOUNT.....21  
 ASM, CONTROLS RL4 50HZ.....37  
 ASM, CONTROLS RL4 50HZ  
 AUTOSTART.....37  
 ASM, CONTROLS RL4 60HZ  
 AUTOSTART.....37  
 ASM, CONTROLS RL4 60HZ W/TL 6KW.....37  
 ASM, CONTROLS RL4 60HZ W/TL 8KW.....37  
 ASM, CONTROLS RL4 60HZ WO/TL.....37  
 ASM, CONTROLS RL4 WO/TL.....15  
 ASSEMBLY, AXLE, RL4.....15  
 ASSEMBLY, FRAME, SUPPORT, HATC.....25  
 ASSEMBLY, LATCH, U-BOLT, RL4.....15  
 ASSEMBLY, PIN AND CLIP.....15  
 ASSY, MAST 1.5 INCH.....39, 55  
 ASSY, MAST 2 INCH.....39, 55  
 ASSY, MAST 3 INCH.....39, 55  
 ASSY, MAST 4 INCH.....39, 55  
 ASY, LIGHT BAR SUPPORT.....47  
 ASY, MAST 1.5INCH.....47  
 ASY, VERTICAL MAST.....15  
 AXLE ASSY,2200#,STRAIGHT.....19  
 AXLE SEAL,2000# AXLE,DL220.....19

### B

BALL, 2" ZINC.....21  
 BATTERY.....15  
 BEARING,ALXL,840377,841050.....19  
 BOLT, HANDLE.....49  
 BOLT, SHACKLE, RL4.....15  
 BOLT, SHOULDER DIA .75 X 4.0 L.....15  
 BOLT, SHOULDER, DIA .75 X 6.0.....15  
 BOLT,TEE 1/2-20 X 4.5.....41  
 BOLT,U-BOLT,LATCH STRIKER,TRAY.....15  
 BRACKET ADJ HGT 6".....21  
 BRACKET, CAPACITOR.....37  
 BRACKET, CONTROL BOX, FLOAT.....15, 37  
 BRACKET, HOLD DOWN, BATTERY.....15  
 BRACKET, SOCKET MOUNT.....49  
 BRAKE DISK,.5 BORE,K-1550.....53  
 BREAKER, 25A 125VAC SPST.....37  
 BREAKER,20A MINI,120VAC 1P,CSA.....37  
 BREAKER,30A 250VAC 2P,CSA.....37  
 BRKT,SOCKET MOGUL FO.....51  
 BRKT,TRUNION.....51  
 BUSHING, SMALL PINION, FULTON.....53

### C

CABLE KEEP.KIT (BRACKET TYPE)\*.....53  
 CABLE SECTION 1.....39, 55  
 CABLE SECTION 2.....39, 55  
 CABLE SECTION 3.....39, 55  
 CAP FUEL RL4/AL4 WITH TETHER.....17  
 CAPACITOR 24uF MH 60H.....37  
 CAPACITOR, 43 µf, 630V.....37  
 CAPACITOR,50HZ MH,26MF(BALLAST.....37  
 CASTING, FIXTURE QUICK CONNECT.....51  
 C H A L W Y N S H U T D O W N  
 W/CABLE,6/8KW.....29  
 CHASSIS, KICKSTEP, WELDMENT.....15

CLAMP, HOSE.....29  
 Clamp, Radiator Hose.....27  
 CLAMP,LENS (C41100720).....51  
 CLEVIS PIN,4.6X60MM.....49  
 COBER, REAR, RL4.....25  
 CONN,STRAIN RELIEF,1/2 NPT.....51  
 CONNECTOR 2 SCREW 3/4.....37  
 CONTACTOR 100A, SNGL 12VDC  
 AUTOSTART.....37  
 CONTROL, AUTOSTART, DYNAGEN.....37  
 CONTROLS DOOR, RL4, BLACK.....25  
 CORD SET MALE 5FT. 3P.....49, 51  
 COUPLER 2" BALL BULLDOG TMZ.....21  
 COUPLER 2-5/16" BALL BULLDOG T.....21  
 COUPLER,BALL,2 5/16.....21  
 COUPLER,BALL,2" CLASS II.....15, 21  
 COVER, FRONT, RL4.....23  
 COVER, WEATHERPROOF GFCI.....37  
 COVER, WEATHERPROOF TWIST LOCK...37  
 COVER,AIR CLEANER,KUBOTA.....29  
 COVER,GLASS/LENS RETAINER CLIP.....49

### D

Decal, Cosmetic, Genie Logo, front fairing..11, 13  
 Decal, Cosmetic, Genie Logo, RL4, Rear door.....11, 13  
 Decal, Cosmetic, Terex Logo, front fairing...11, 13  
 Decal, Cosmetic, Terex Logo, RL4.....11, 13  
 Decal, Cosmetic, Terex Logo, RL4, Rear door.....11, 13  
 Decal, Danger, Auto-start Hazard.....11  
 Decal, Danger, Electrocutation Hazard.....11, 13  
 Decal, Danger, Electrocutation hazard.....11  
 Decal, Danger, Explosion Hazard.....11  
 Decal, Danger, Explosion Hazard, Battery....11  
 Decal, Danger, Inhalation Hazard.....11, 13  
 Decal, Instruction, Lamp Disposal.....11  
 Decal, Instruction, Tire Specifications.....11, 13  
 Decal, Instruction, Tongue deployment.....11, 13  
 Decal, Label, Arrow.....11, 13  
 Decal, Label, Battery/Charger Safety.....13  
 Decal, Label, Diesel.....11, 13  
 Decal, Label, Electrocutation Hazard.....13  
 Decal, Label, Electrocutation hazard.....13  
 Decal, Label, Explosion Hazard.....13  
 Decal, Label, Ground.....11, 13  
 Decal, Label, Lifting Point.....11, 13  
 Decal, Label, Read the Manual.....13  
 Decal, Label, Tow Speed.....13  
 Decal, Label, Transport Diagram.....11, 13  
 Decal, Label, Transport Tie-down.....11, 13  
 Decal, Operating Instructions.....11  
 Decal, Warning, Burn Hazard.....13  
 Decal, Warning, Explosion Hazard.....11, 13  
 Decal, Warning, Explosion/Burn Hazard.....13  
 Decal, Warning, Explosion/Burn hazard.....11  
 Decal, Warning, Improper Operation.....11  
 Decal, Warning, Tip-over Hazard, Outriggers.....11, 13  
 Decal, Warning, Tow Speed.....11

### E

ENGINE,KUBOTA,D1105,OLDREV,PAK.....29

### F

FENDER, RL4.....25  
 FIBERGLASS PAD,RECT LAMP FIXT.....49  
 FILTER, AIR.....29  
 FILTER,OIL,KUBOTA.....29  
 FITTING 1/8,FITTING FOR DOWN T.....17  
 FITTING 5/16, W TUBE 25.5 45D.....17  
 FIXTURE ASSEMBLY 1000W RECT.....49  
 FIXTURE HOUSING BASE,1KW RECT.....49  
 FIXTURE LIGHT MH BLACK COATED.....51  
 FIXTURE RECT TML 1000W.....49  
 FORMING FUEL TANK SUPPORT FRON....17  
 FORMING FUEL TANK SUPPORT REAR....17  
 FRAME SPACER,K-1550.....53

### G

GASKET, HANDLE.....25  
 GASKET, HOUSING REFLECTOR BASE.....51  
 GASKET,HOUSING BASE, TOPFRAME.....49  
 GASKET,LIGHT SOCKET.....49  
 GASKET,RECTANGULAR GLASS/LENS.....49  
 GASKET,STRAIN RELIEF,1/2.....51  
 GEN, COLISEUM, 6KW, 240VAC.....31  
 GEN, COLISEUM, 7KW, 240VAC.....29, 33  
 GEN, COLISEUM, 8KW, 240VAC.....35  
 GLASS LENS.....49  
 GLASS/LENS,RECTANGULAR PSI.....49  
 GREASE CAP, AXLE, 3000LB.....19  
 GROMMET ASSEMBLY.....49  
 GROMMET DAPCO RUBBER SM.....17  
 GROMMET, 1.5 " DIA.....37

### H

HAMMERBLOW SPINDLE NUT,AXLE.....19  
 HANDLE FOR 1500# WINC.....53  
 HANDLE, ADJUSTMENT.....49  
 HANDLE, PUSH BUTTON, RADLOCK.....25  
 HINGE, RL4.....23, 25  
 HITCH RING,COMBO,16"LENGTH.....21  
 HITCH,2.5"RING,6 TON.....21  
 HITCH,3"RING,6TON.....21  
 HITCH,RING,BOLT-ON 2.5" ID.....21  
 HOURMETER,DIGITAL,RECTANGULAR.....37

### I

IGNITION SWITCH,LEVER OPR.....37  
 ISOLATER, BOTTOM.....29  
 ISOLATER, GENERATOR.....29  
 ISOLATER, TOP.....29  
 ISOLATOR, GENERATOR.....31, 33, 35

### J

J-BOLTS,10", BATTERY, RL4.....15  
 JACK, KNOTT PN KBC 6D8443.001-.....15

### K

KIT,HUBS,BRINGS&SEALS,116949.....19  
 KUBOTA EXHAUST.....29

### L

LAMP BRACE, RECT HOUSING.....49  
 LAMP MH 1000W BT37HOR.....49

LAMP MH 1000W M1000/U SYL.....51  
 LATCH, ROTARY, RL4.....25  
 LENS GASKET FOR LIGHT FIXTURE.....51  
 LENS W/GASKET (C41100720).....51  
 LENS,LIGHT (57449).....49  
 LIGHT FIXTURE,MH,AL4,RL4,AL5.....51  
 LIGHT INDICATOR 12VRED.....37  
 LIGHT SOCKET,PSI RECT 5 KV.....49  
 LIGHT, PLATE, LICENSE, RL4.....25  
 LIGHT, REAR, LED, RL4.....25  
 LIGHT, RED, LED, SIDE, RL4.....25  
 LIGHT, YELLOW, LED, SIDE, RL4.....23  
 LOCKNUT,CONDUIT,1/2 CSA APPVD.....51  
 LOCKWASHER.....31, 33, 35

**M**

MOUNT, ENGINE, KUBOTA, RL4.....29  
 MUFFLER, KUBOTA.....29

**N**

NUT.....25, 29, 47  
 NUT, FLANGE, SHACKLE, RL4.....15  
 NUT, NYLOCK 7/8-9 Z.....41  
 NUT, WING.....15  
 NUT,HEX,1-8.....21  
 NUT,HEX,JAM,1/2-13.....53  
 NUT,JAM,1/2-13,A,ZAG.....15  
 NUT,LOCK,3/8-16.....53  
 NUT,LP NYLOCK,1/4-20.....37  
 NUT,NYLOCK,1/2-13.....21, 53  
 NUT,NYLOCK,1/2-13 GR2.....15  
 NUT,NYLOCK,1/4-20.....29  
 NUT,NYLOCK,5/8-11.....21  
 NUT,TL,5/8-11,C,ZAG.....15  
 NUT,TL,M8-1.25,DIN980,10,ZAB.....25  
 NUT,WHEEL, 1/2 X 20.....15, 19  
 NUTSERT,8-32 (833543).....51

**O**

Oil Filter.....27

**P**

PANEL, FACEPLATE, 50HZ TEST.....37  
 PANEL, FACEPLATE, GFCL.....37  
 PANEL, FACEPLATE, GFCL/TWIST LOCK.....37  
 PANEL, FRONT CONTROL BOX, AUTOSTART.....37  
 PANEL, FRONT CONTROL BOX, STANDARD.....37  
 PANEL, HEAT SHIELD.....37  
 PANEL, REAR CONTROL BOX.....37  
 PANEL, TRANSFORMER COVER.....37  
 PEDESTAL: GENERATOR: COLISEUM.....29, 31, 33, 35  
 PIN QUICK 1/4X 1.75 ZP.....21  
 PIN, CLEVIS.....41, 43, 45  
 PIN, COTTER.....15, 29, 41, 43, 45  
 PIN, RELEASE.....15  
 PINCOTTER 0.125 1.750.....19  
 PINION GEAR AND DISC K-1550.....53  
 PINION SHAFT.....53  
 PLATE, BOTTOM MOUNT, KUBOTA RA.....29  
 PLATE, HINGE, BACKING.....25  
 PLATE, SHACKLE, AXLE, RL4.....15  
 PLATE, SPACER, 50HZ.....29  
 PLATE, TOP MOUNT, KUBOTA RADIA.....29  
 PLATE,SIDE,COMBO HITCH,BOLT-ON.....21

PLATER, EXHAUST, SIDE SUPPORT.....29  
 PLUG, CONTROL BOX 1/2".....37

**R**

RACE, INNER.....19  
 RACE, OUTER.....19  
 Radiator.....27  
 RADIATOR HOSE ELBOW, LOWER.....29  
 RADIATOR HOSE, LOWER.....29  
 Radiator Hose, Lower.....27  
 RADIATOR HOSE, UPPER.....29  
 Radiator Hose, Upper.....27  
 RADIATOR, KUBOTA, D905 & D1105.....29  
 RATCHET GEAR,K-1550 1/2" I.D.....53  
 RATCHET KIT (K-1500,K-1550)\*\*.....53  
 RECEP 30A 120/240V 4 POLE.....37  
 RECEPTACLE 20A 120V DUPLEX GFI.....37  
 REFLECTOR & LENS ASSY STD FIX.....51  
 REFLECTOR (C41100720).....51  
 REFLECTOR BASE.....49  
 REFLECTOR LAMP SIDE.....49  
 REFLECTOR SIDE.....49  
 REFLECTOR, RED, SIDE, RL4.....25  
 REFLECTOR, YELLOW, SIDE, RL4.....23  
 RELEASE, OUTRIGGER.....15  
 RETAINER CLIP,GLASS/LENS.....49  
 RETAINING RING.....53  
 RING,REINFORCING (C41100720).....51  
 RIVET.....41, 43  
 RIVET POP 1/8X.390 GR.....51  
 RIVET, BLACK, .125 DIA.....25  
 RIVET,STL,STL,DOME,1/4X.375,Z.....37

**S**

SCREEN.....25  
 SCREW.....15, 23, 25, 29, 31, 33, 35, 37, 41, 45, 47  
 SCREW, #10-24 X .500 T-FORMING.....37  
 SCREW, 1/4-20 X .5 HW TF, PATC.....37  
 SCREW,HH SLOT,8-32X1.....51  
 SCREW,HHC,1/2-13 X 1.25.....51  
 SCREW,HHC,1/2-13 X 1.5.....51  
 SCREW,HHC,1/2-13 X 3.5 GR8.....29  
 SCREW,HHC,1/2-13 X 4 G.....15, 21  
 SCREW,HHC,1/2-13 X 4.5,GRD.8.....21  
 SCREW,HHC,1/2-13 X 5.5,GRD.8.....21  
 SCREW,HHC,1/2-13 X 6.....21  
 SCREW,HHC,1/2-13 X 6 GR8 ZP.....21  
 SCREW,HHC,1/2-13X1.5,8,ZAG.....15  
 SCREW,HHC,1/4-20 X 1.25.....29  
 SCREW,HHC,3/8-16 X 5.5 GRD 8.....53  
 SCREW,HHC,3/8-16 X 6.....53  
 SCREW,HHC,3/8-16X1.25,8,ZAG.....29  
 SCREW,HHC,5/16-18 X 1 GR5.....29  
 SCREW,HHC,5/16-18X.75,8,ZAG.....17, 25  
 SCREW,HHC,5/16-18X1.8,ZAG.....37  
 SCREW,HHC,5/8-11X4.50,GR8,Y.....21  
 SCREW,HHC,M6 X 20MM,GR8.....29  
 SCREW,HHC,M6-1.0X16,DIN931,10.....25  
 SCREW,HHC,M6-1.0X20,DIN931,10.....25  
 SCREW,HHF,1/2-13X2.5,8,ZAG.....31, 33, 35  
 SCREW,HHF,1/4-20X.75,8,ZAG.....37  
 SCREW,PHM,10-24 X 5/8.....51  
 SCREW,PHM,8-32X3/8.....51  
 SCREW,PHPM,8-32 X .75,ZAG.....25  
 SCREW,RHM,6-32X5/8.....51  
 SHEAVE.....41, 43, 45  
 SLEEVE,WIRE,FIBERGLASS.....51

SOCKET BASE-MOGUL.....51  
 SPACER, DRUM BOLT, K-1550.....53  
 SPACER,PINION SHAFT.....53  
 SPACER,SIDE,COMBO,HTCH,BOLT-ON.....21  
 SPIDER, MH/HPS.....51  
 SPRING.....15  
 SPRING CLIP,5/16-18,.025-.15X.....17, 29, 37  
 SPRING, LAMP RETAINER.....49  
 Starter.....27  
 STRAP, CONTROL BOX, CAPACITOR.....37  
 STRUT, GAS, RL4.....25  
 SWITCH, PUSH BUTTON.....37  
 SWITCH, TOGGLE, SPST.....37

**T**

T-HANDLE.....51  
 TANK FUEL RL4 C SHAPE.....17  
 TANK, COOLANT OVERFLOW.....15  
 TERMINAL STRIP,CE.....51  
 TOP FRAME,HOUSING BASE.....49  
 TRANSFORMER, MH, 50HZ 120V.....37  
 TRANSFORMER, MH, 60HZ 120V.....37  
 TUBE,INTAKE,CHALWYN,KUBOTA.....29

**U**

UBOLT.....29

**V**

VIBRATION MOUNT.....29  
 VIBRATION MOUNT,35".....29

**W**

WASHER.....15, 25, 29, 31, 33, 35, 47  
 WASHER LOCK 1/2ZP.....21, 49, 51  
 WASHER LOCK STAR 1/2E.....49, 51  
 WASHER, CUSHIONING.....29  
 WASHER, LOCK.....29  
 WASHER, SNUBBER.....29  
 WASHER,ALXL,840377,841050.....19  
 WASHER,CLAMP,RUBBER(833543).....51  
 WASHER,FLAT,5X2.25X.188,ZAG.....29, 31, 33, 35  
 WASHER,FLAT,1.000,HARDENED.....21  
 WASHER,FLAT,1/2,USS,ZAG.....15  
 WASHER,FLAT,3/4,USS,HRD,ZAG.....15  
 WASHER,FLAT,5/16,USS,ZAG.....15, 23, 25, 37  
 WASHER,FLAT,M6 PLTD.FW.....29  
 WASHER,FLAT,M6,DIN125,ZAB.....25  
 WASHER,FLAT,M8,DIN125,ZAB.....25  
 WASHER,FLAT,SAE 1/4",ZINC.....29  
 WASHER,FLAT,SAE,3/8",Y.....29  
 WASHER,FLAT,SNUB 1/2X2-3/4 ZN.....29  
 WASHER,FLAT,USS,1/2",Y.....21  
 WASHER,FLAT,USS,5/16",Y.....29  
 WASHER,FLAT,USS,5/8",Y.....21  
 WASHER,LOCK,3/8,ZAG.....29  
 WASHER,LOCK,5/16,ZAG.....17  
 WEAR PAD, TOWER, RL4.....41, 43  
 WEARPAD, VMAST, HALF.....45  
 WELDMENT, BRACKET, RECEIVER, D.....15  
 WELDMENT, CAHSSIS, RL4.....15  
 WELDMENT, FRAME, SUPPORT, DOOR.....25  
 WELDMENT, LIFT, RL4.....15  
 WELDMENT, LIGHT DROPBAR.....39, 55  
 WELDMENT, LIGHT XBAR.....39, 47, 55  
 WELDMENT, MAST 2INCH.....45

---

**Part Description Index (continued)**

WELDMENT, MAST 4" INCH.....41, 43  
WELDMENT, OUTRIGGER, RL4.....15  
WELDMENT, SIDE, CABINET, LEFT.....25  
WELDMENT, SIDE, CABINET, RIGHT.....25  
WELDMENT, VMAST BASE.....39, 41, 55  
WELDMENT: DRAWBAR: RL4.....15  
WHEEL/TIRE ASSY,13",175/80 LRB.....15  
WINCH BRACKET, DRUM BOLT LOCK.....53  
WINCH PINION PLATE, K-1550.....53  
WINCH, ELECTRIC.....39, 41, 55  
WINCH,W/HNDL,5.1:1,1500LBS.....39, 41, 53,  
55

**Y**

YOKE,PSI RECT.LIGHT FIXTURE.....49

---

Genie Scandinavia

Phone +46 31 575100  
Fax +46 31 579020

---

Genie France

Phone +33 (0)2 37 26 09 99  
Fax +33 (0)2 37 26 09 98

---

Genie Iberica

Phone +34 93 579 5042  
Fax +34 93 579 5059

---

Genie Germany

Phone 0800 180 9017  
Phone +49 422 149 1818  
Fax +49 422 149 1820

---

Genie U.K.

Phone +44 (0)1476 584333  
Fax +44 (0)1476 584334

---

Genie Mexico City

Phone +52 55 5666 5242  
Fax +52 55 5666 3241

Genie North America

Phone 425.881.1800  
Toll Free USA and Canada  
800.536.1800  
Fax 425.883.3475

---

Genie Australia Pty Ltd.

Phone +61 7 3375 1660  
Fax +61 7 3375 1002

---

Genie China

Phone +86 21 53852570  
Fax +86 21 53852569

---

Genie Malaysia

Phone +65 98 480 775  
Fax +65 67 533 544

---

Genie Japan

Phone +81 3 3453 6082  
Fax +81 3 3453 6083

---

Genie Korea

Phone +82 25 587 267  
Fax +82 25 583 910

---

Genie Brasil

Phone +55 11 41 665 755  
Fax +55 11 41 665 754

---

Genie Holland

Phone +31 183 581 102  
Fax +31 183 581 566

Distributed By:

# Parts Manual

RL4 Vertical Mast

*from SN RL415-101*

Part No.  
1266666

Rev A

